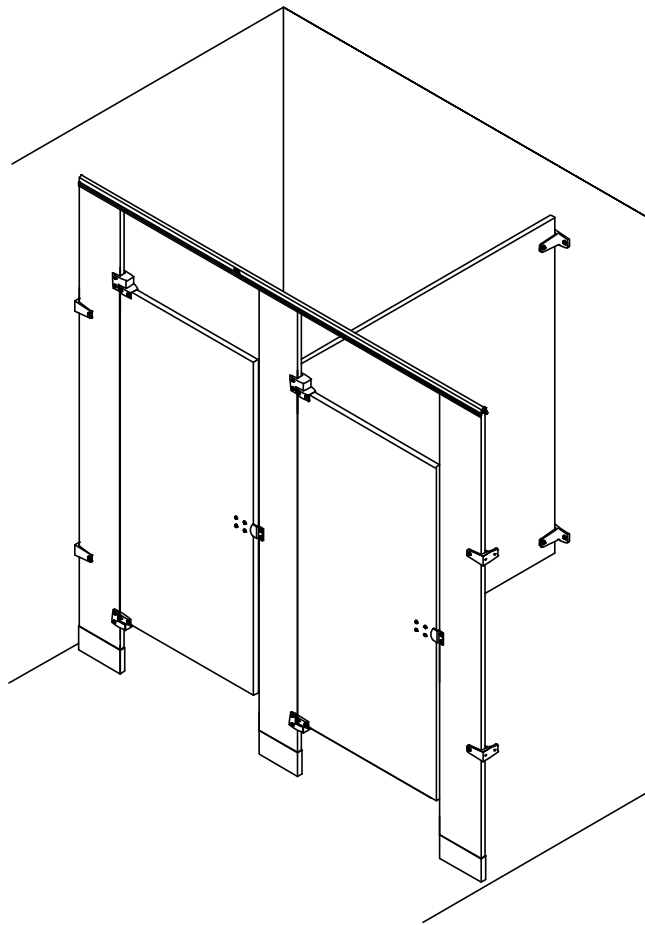




---

**INSTALLATION INSTRUCTIONS FOR**  
*PHENOLIC PARTITIONS*

**\*\*Installation Videos Available on YouTube!\*\***



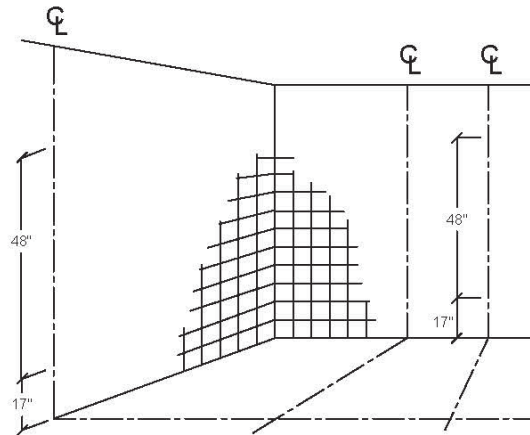
## **STEP 1** **LAYOUT**

### **FLOOR ANCHORED/OVERHEAD BRACED**

NOTE: FLOOR MUST BE CONCRETE

- A. Review the layout drawings and package lists that have accompanied this job.
- B. Before proceeding, confirm that backing of walls and floor is adequate to support secure mounting of the toilet compartment units.
- C. Establish and mark pilaster center line from back wall.
- D. Establish and mark panel center lines for wall brackets.
- E. Establish pilaster floor fastener locations from side wall according to shop drawings. (Note: floor fasteners are located 3/4" from edge of pilaster).
- F. Mark wall bracket holes using brackets as templates.

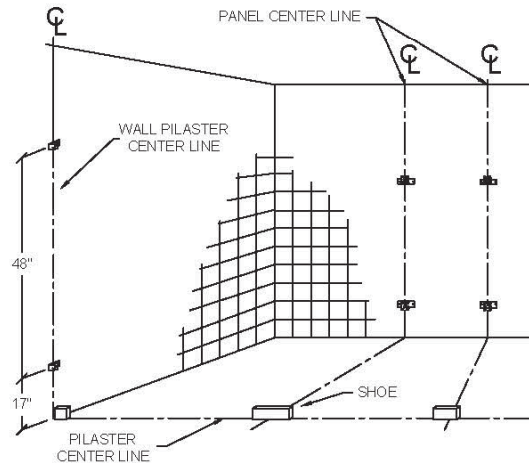
**FIGURE 1**



## **STEP 2** **WALL BRACKETS AND FLOOR ANCHORS**

- A. Drill holes for wall brackets and floor anchors of appropriate size for particular fastening devices supplied. Typically, 1/4" bit for walls, 1/4" bit for compartment thru-bolts, and 3/16" bit for floors. (Note: as site conditions and hardware combinations vary, an assortment of bit sizes is recommended).
- B. Insert anchoring devices in walls and secure wall brackets.
- C. Attach the shoes to the concrete floor using the 1/4" concrete screws. (Note: the hole in the side of the shoe should be placed on the inside of the compartment).
- D. Adjust the location of the shoes according to the door opening size, and secure shoes to the floor.

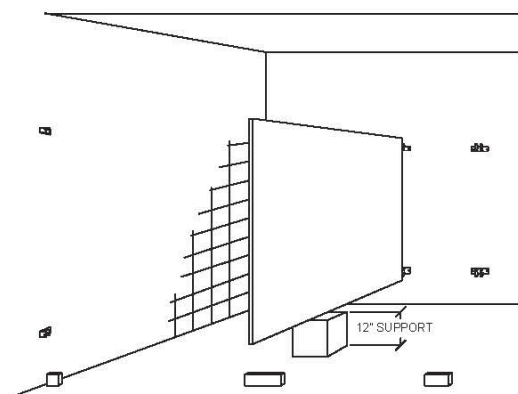
**FIGURE 2**



## **STEP 3** **POSITION PANEL**

- A. Place panel on a support, 12" above the floor.
- B. Set it into wall brackets, but do not fasten panel at this time.

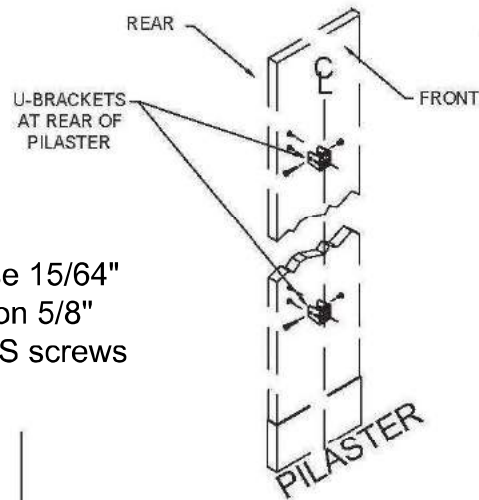
**FIGURE 3**



#### **STEP 4** **PILASTER PREPARATION**

- A. Align U-brackets in position on rear of pilasters. Refer to layout drawings and make sure brackets are in alignment with wall brackets.
- B. Fasten U-brackets to pilaster with sheet metal screws.
- C. Pilasters at wall will not have U-brackets, but should be prepared for wall and floor fastening as required by compartment layout.

**\*Use 15/64"  
bit on 5/8"  
SMS screws**

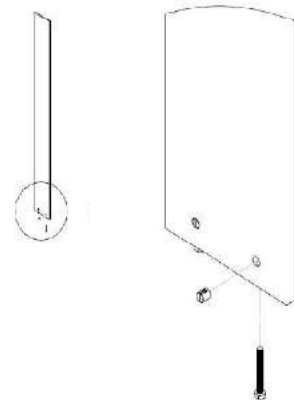


**FIGURE 4**

#### **STEP 5** **INSTALL PILASTERS**

- A. Insert the dowel nut into the side of the pilaster in the pre-drilled hole provided.
- B. Insert the bolt into the bottom and thread into the dowel nut.
- C. Insert the pilaster into the shoe.
- D. Level the top of all pilasters by adjusting the leveling bolt to desired position.

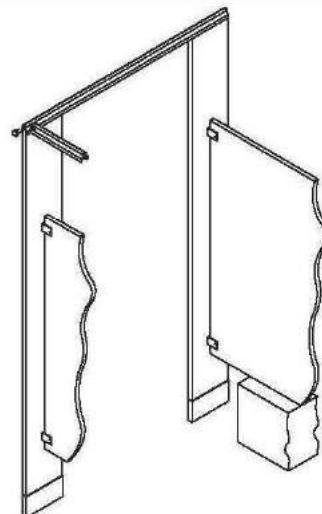
Note: To determine how far to insert the leveling bolt, find the highest point on the floor, and fully insert the bolt on the pilaster that will be mounted in that location. Adjust all other leveling bolts accordingly.



**FIGURE 5**

#### **STEP 6** **SECURING PILASTERS/PANELS**

- A. Level the panel and adjust the gaps at either end.
- B. Secure the panel to the wall and pilaster using through-bolts.
- C. Remove panel support device.
- D. Plumb each pilaster and secure with headrail (see page 10 for headrail detail).
- E. Secure the pilaster to the shoe using shoe screws.










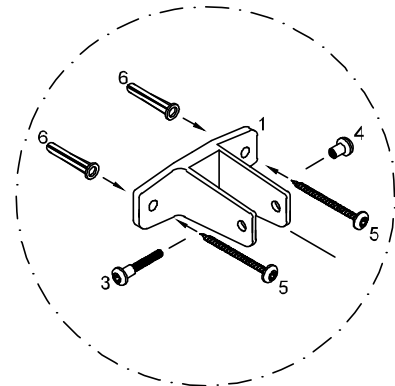
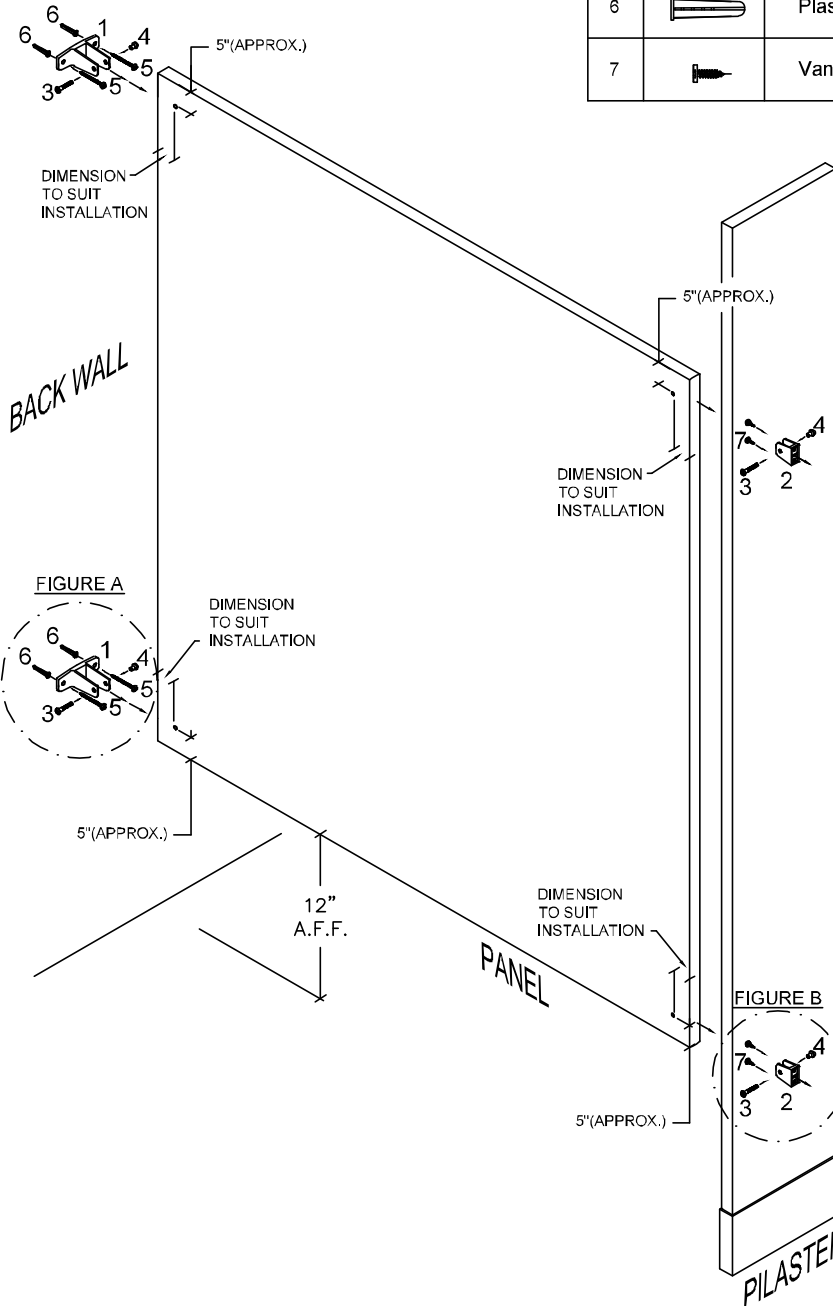
**FIGURE 6**

**FLOOR ANCHORED/OVERHEAD BRACED  
PANEL TO PILASTER/WALL  
TWO EAR ASSEMBLY  
PHENOLIC**

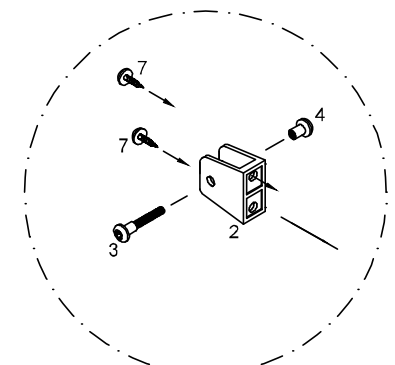
Pilasters must be both plumb and level. To assist in leveling, headrail may be lightly positioned across adjacent pilasters (do not fasten at this time)  
Refer to steps 4 & 6

- A. Plumb panel and fasten panel to 2-ear bracket at wall with through bolts.
- B. Fasten pilaster to panel using through bolts to fasten "U" brackets to pilaster.

Panel Hardware Kit (P/N 8275020) Includes: STAINLESS STEEL		
PART ID.	DESCRIPTION	QTY
1	 Two Ear Bracket	(2)
2	 "U" Bracket	(2)
3	 Vandal Resistant S/S Step Bolts 1/2" Long	(4)
4	 Vandal Resistant S/S Barrel Nut	(4)
5	 Vandal Resistant 2 1/2" S.M.S	(4)
6	 Plastic Shields	(4)
7	 Vandal Resistant 3/4" S.M.S	(4)



**FIGURE A**



**FIGURE B**

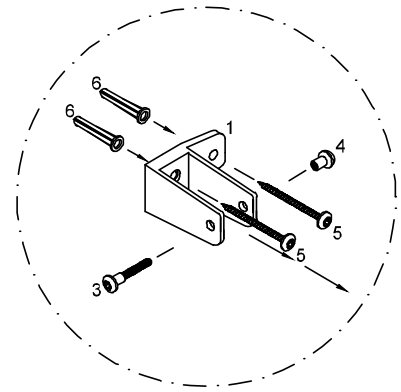
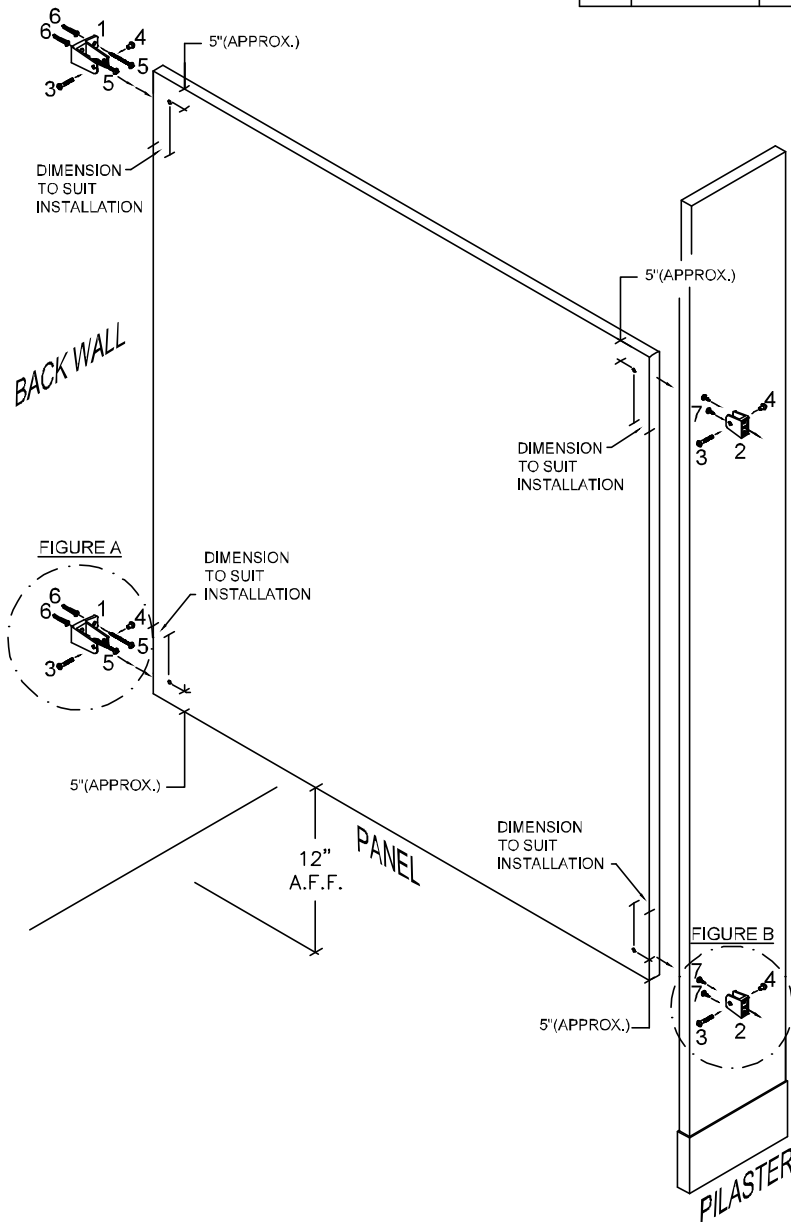
**NOTE:**  
Two Vandal resistant 3/4" screws  
To Fasten U-bracket To Pilaster.

**FLOOR ANCHORED/OVERHEAD BRACED  
PANEL TO PILASTER/WALL  
ONE EAR ASSEMBLY  
PHENOLIC**

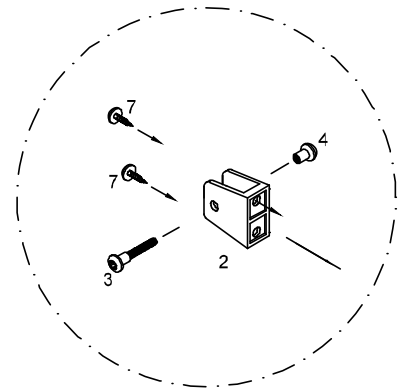
Pilasters must be both plumb and level. To assist in leveling, headrail may be lightly positioned across adjacent pilasters (do not fasten at this time) Refer to steps 4 & 6.

- A. Plumb panel and fasten panel to 1-ear bracket at wall with through bolts.
- B. Plumb pilaster and fasten pilaster to panel using through bolts with barrel nuts. Use sheet metal screws to fasten "U" brkts to pilaster.

Panel Hardware Kit (P/N 8275010) Includes: STAINLESS STEEL			
PART ID.		DESCRIPTION	QTY
1		One Ear Bracket	(2)
2		"U" Bracket	(2)
3		Vandal Resistant S/S Step Bolts 1/2" Long	(4)
4		Vandal Resistant S/S Barrel Nut	(4)
5		Vandal Resistant 2 1/2" S.M.S.	(4)
6		Plastic Shields	(4)
7		Vandal Resistant 3/4" S.M.S.	(4)



**FIGURE A**









**NOTE:**  
Two Vandal resistant 3/4" screws  
To Fasten U-bracket To Pilaster.

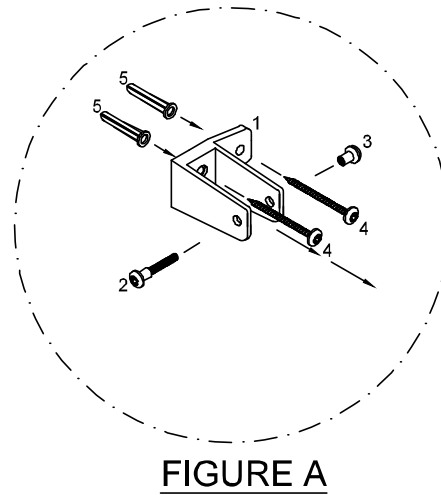
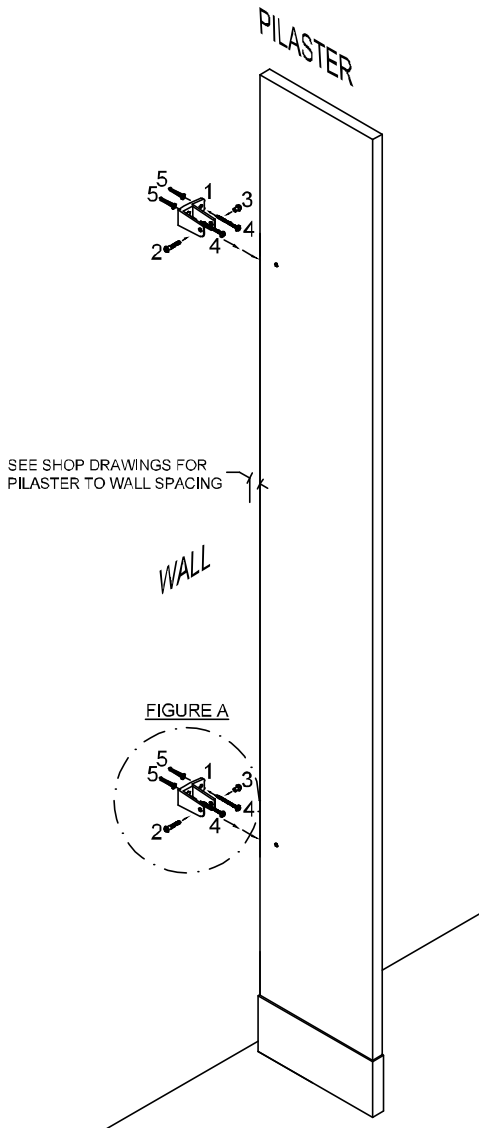
**FIGURE B**

**FLOOR ANCHORED/OVERHEAD BRACED  
PILASTER/WALL  
ASSEMBLY  
PHENOLIC**

Pilasters must be both plumb and level. To assist in leveling, headrail may be lightly positioned across adjacent pilasters(do not fasten at this time)

- A. Fasten pilaster to wall using through bolts or sheet metal screws.
- B. Establish bottom door openings by adjusting pilaster mounting bar to desired position and tighten nuts.Refer to step 6.

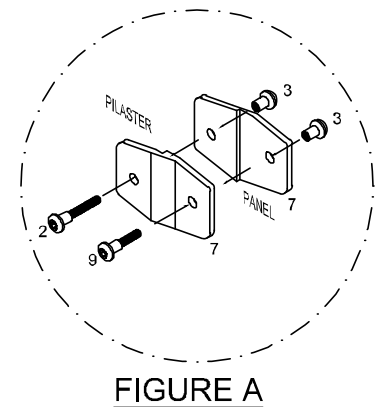
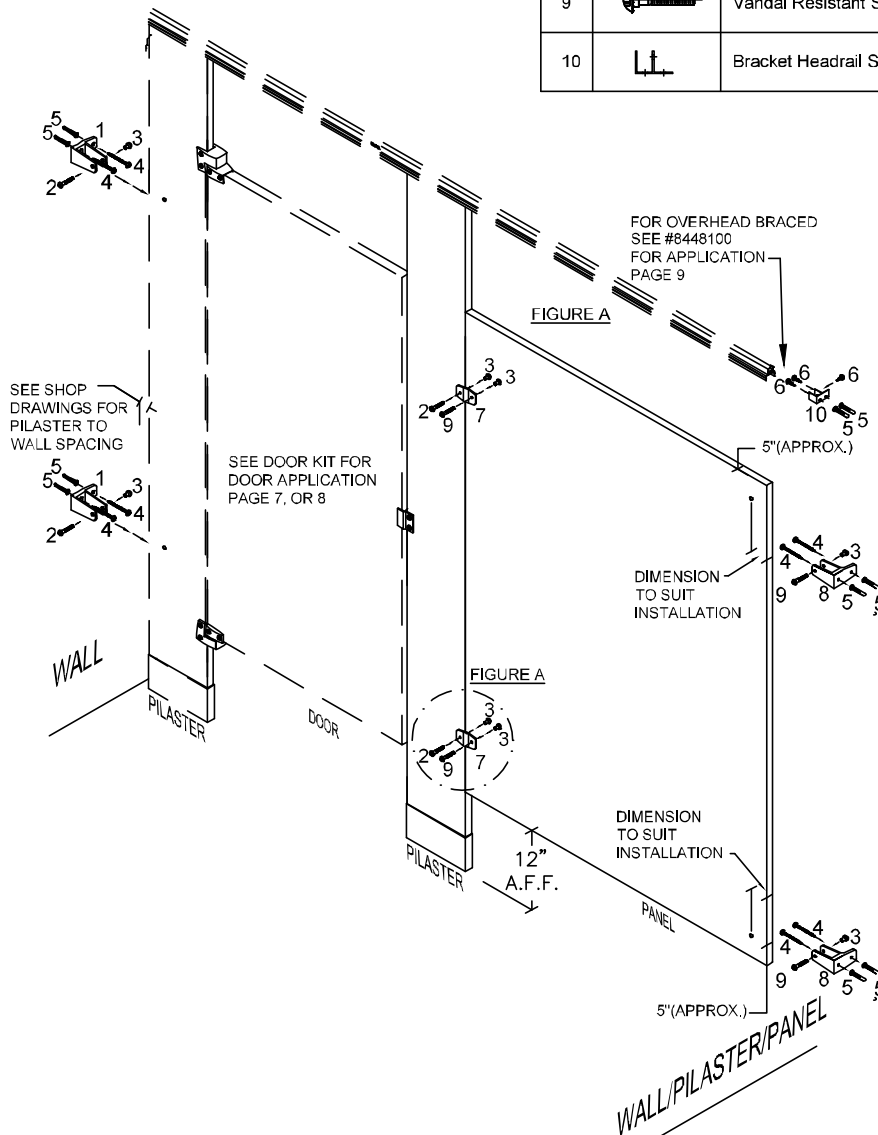
Pilaster/Wall Hardware Kit (P/N 8275210) Includes: STAINLESS STEEL			
PART ID.		DESCRIPTION	QTY
1		S/S One Ear Wall Bracket	(2)
2		Vandal Resistant S/S Step Bolts 3/4" Long	(2)
3		Vandal Resistant S/S Barrel Nut	(6)
4		Vandal Resistant 2 1/2" S.M.S	(4)
5		Plastic Shields	(4)
6		Vandal Resistant S/S Step Bolts 1/2" Long	(4)



**FLOOR ANCHORED/  
OVERHEAD BRACED  
PILASTER/PANEL ALCOVE  
ASSEMBLY  
PHENOLIC**

Optional #8277020 if 2-ear panel to wall is required.

Alcove Hardware Kit (P/N 8277010) Includes: STAINLESS STEEL		
PART ID.	DESCRIPTION	QTY
1	3/4" One Ear Wall Bracket	(2)
2	Vandal Resistant S/S Step Bolts 3/4" Long	(4)
3	Vandal Resistant S/S Barrel Nut	(4)
4	Vandal Resistant S/S #14 x 2 1/2" S.M.S.	(10)
5	Plastic Shields	(10)
6	Vandal Resistant S/S 3/4" long	(3)
7	Alcove Clip	(4)
8	1/2" One Ear Wall Bracket	(2)
9	Vandal Resistant S/S Step Bolts 1/2" Long	(4)
10	Bracket Headrail Satin "F" Zamac	(1)



**DOOR HARDWARE**  
**ASSEMBLY-VAULT HINGE**  
**PHENOLIC**

Install slide latch on door oppsite the hinge side of door. All slide latches should be mounted at midpoint of the door , 27 1/2" inches up from the bottom of the door.

**INSWING DOOR**

Mount the slide latch on to the door with two (2) step bolts and two (2) 3/8 inch barrel nuts. Install keeper and bumper on pilaster. Be sure that the keeper and bumper is set so that the slide bar of the slide latch engages the top notch of the keeper. Install keeper/bumper with one (1) step bolt and one (1) barrel nut.

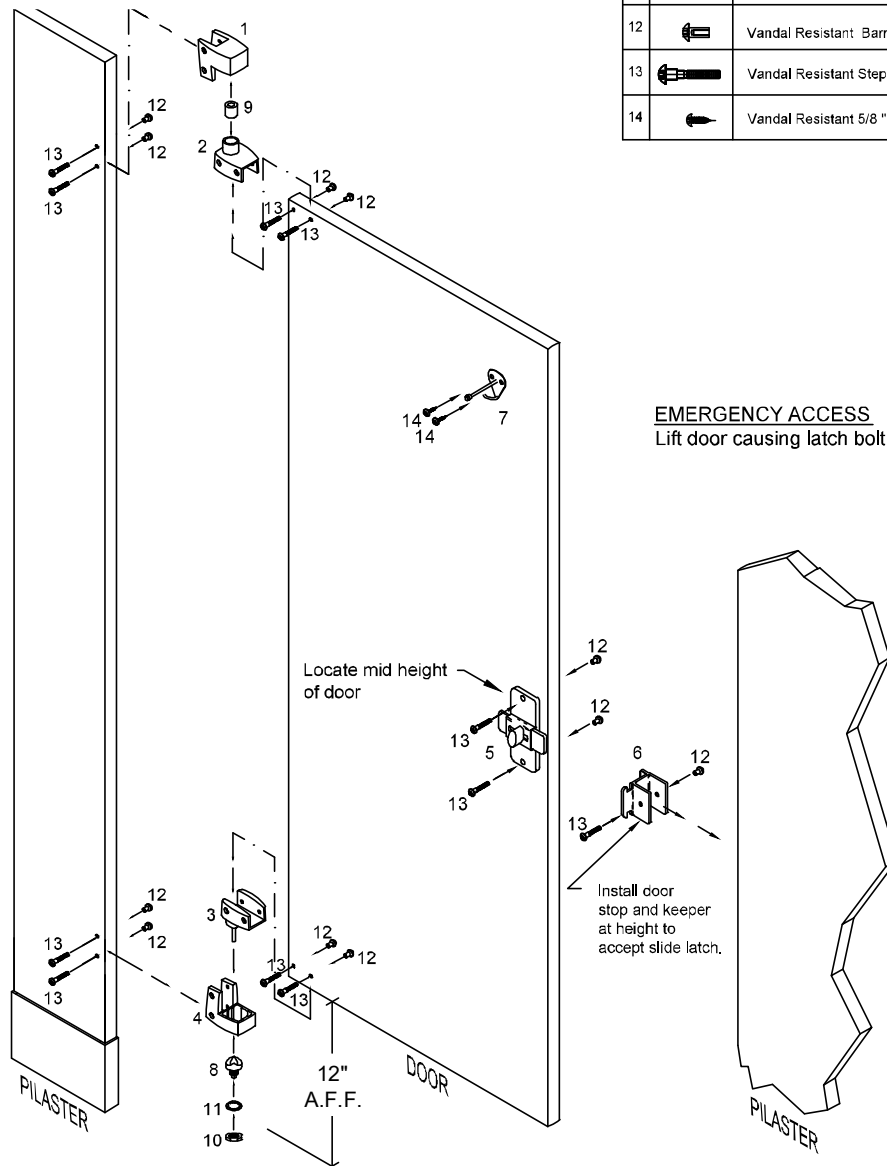
**ADJUSTING DOOR RESTING POSITION**

Loosen 10 (Nut adjusting Bottom Hinge) and turn 8 (Cam Adjusting Bottom Hinge) until desired resting position is achieved. Tighten 10.

\*Use 15/64" bit on 5/8" SMS screws

\*Test door swing before securing top hinge to ensure no binding.

Inswing Door Hardware Kit (P/N 8571005) Includes: Brushed Finish		
PART ID.	DESCRIPTION	QTY
1	Vault Hinge Top Pilaster Side	(1)
2	Vault Hinge Top Door Side	(1)
3	Vault Hinge Bottom Door Side	(1)
4	Vault Hinge Bottom Pilaster Side	(1)
5	Side Latch Brushed Finish	(1)
6	Inswing Keeper Brushed	(1)
7	Bumper And Coathook	(1)
8	Cam Adjusting Bottom Hinge	(1)
9	Bushing Nylon Top Hinge	(1)
10	Nut Adjusting Bottom Hinge	(1)
11	Hinge Washer Internal	(1)
12	Vandal Resistant Barrel Nut 3/8"	(1)
13	Vandal Resistant Step Bolt	(11)
14	Vandal Resistant 5/8 "	(2)



**EMERGENCY ACCESS**

Lift door causing latch bolt to clear keeper and open.



**DOOR HARDWARE**  
**ASSEMBLY-VAULT HINGE - OUTSWING**  
**PHENOLIC**

Install slide latch on door oppsite the hinge side of door. All slide latches should be mounted at midpoint of the door , 29" inches up from the bottom of the door.

**OUTSWING DOOR**

Mount the slide latch to the inside face of door.  
 Use two (2) step bolts and two (2) barrel nuts.

Be sure that the keeper is set so that the slide latch bar is only 1/4 inch (.250) below the top edge of the keeper and does not engage behind pilaster (bumper only).  
 Install keeper with one (1) step bolt and one (1) barrel nut.

**ADJUSTING DOOR RESTING POSITION**

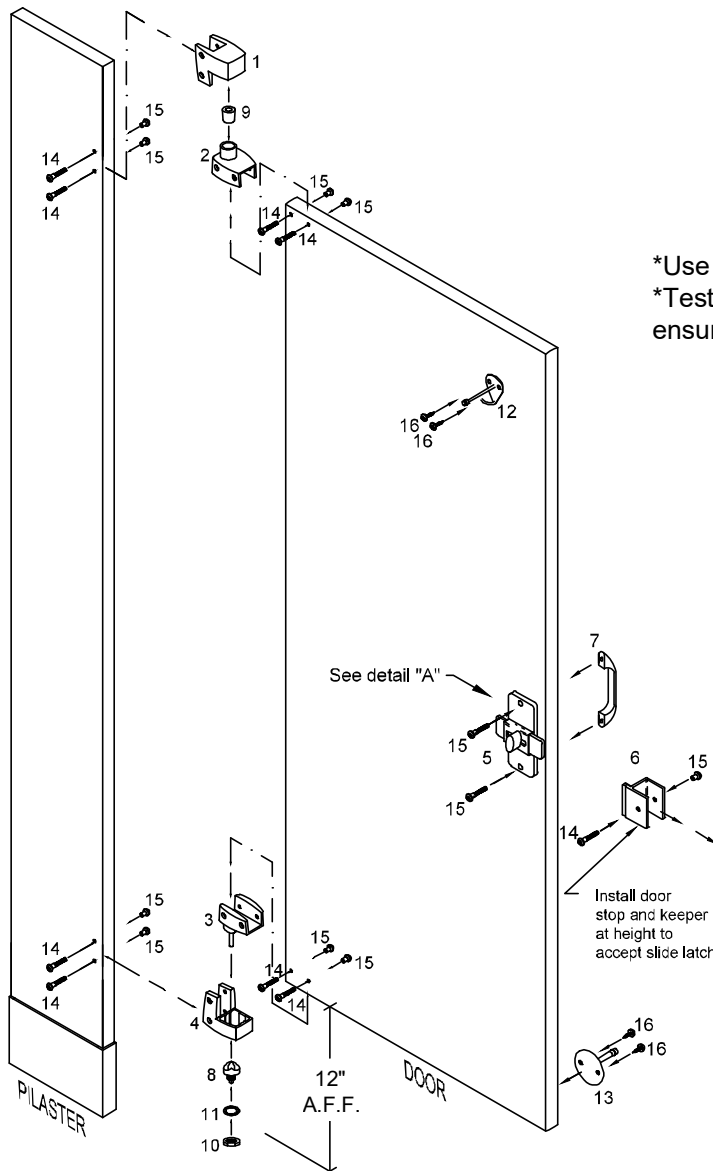
Loosen 10 (Nut adjusting Bottom Hinge) and turn 8 (Cam Adjusting Bottom Hinge) until desired resting position is achieved. Tighten 10.

**EMERGENCY ACCESS**

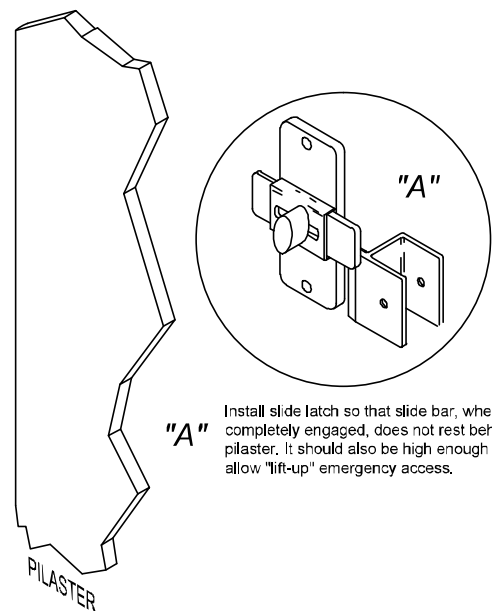
Lift door causing latch bolt to clear keeper and open.

Outswing Door Hardware Kit (P/N 8571006) Includes:  
 Brushed Finish

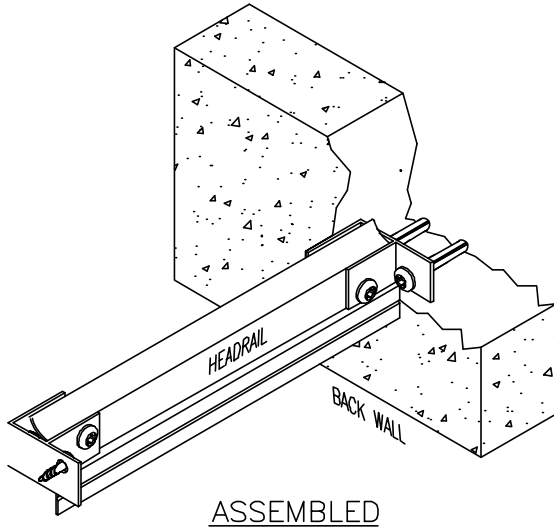
PART ID.	DESCRIPTION	QTY
1	Vault Hinge Top Pilaster Side	(1)
2	Vault Hinge Top Door Side	(1)
3	Vault Hinge Bottom Door Side	(1)
4	Vault Hinge Bottom Pilaster Side	(1)
5	Slide Latch Brushed Finish	(1)
6	Outswing Slide Latch Keeper	(1)
7	Pull Handle	(1)
8	Cam Adjusting Bottom Hinge	(1)
9	Bushing Nylon Top Hinge	(1)
10	Nut Adjusting Bottom Hinge	(1)
11	Hinge Washer Internal	(1)
12	Bumper And Coathook	(1)
13	Bumper	(1)
14	Vandal Resistant Step Bolt	(10)
15	Vandal Resistant Barrel Nut 3/8"	(10)
16	Vandal Resistant 5/8" SMS	(4)








\*Use 15/64" bit on 5/8" SMS screws  
 \*Test door swing before securing top hinge to ensure no binding.

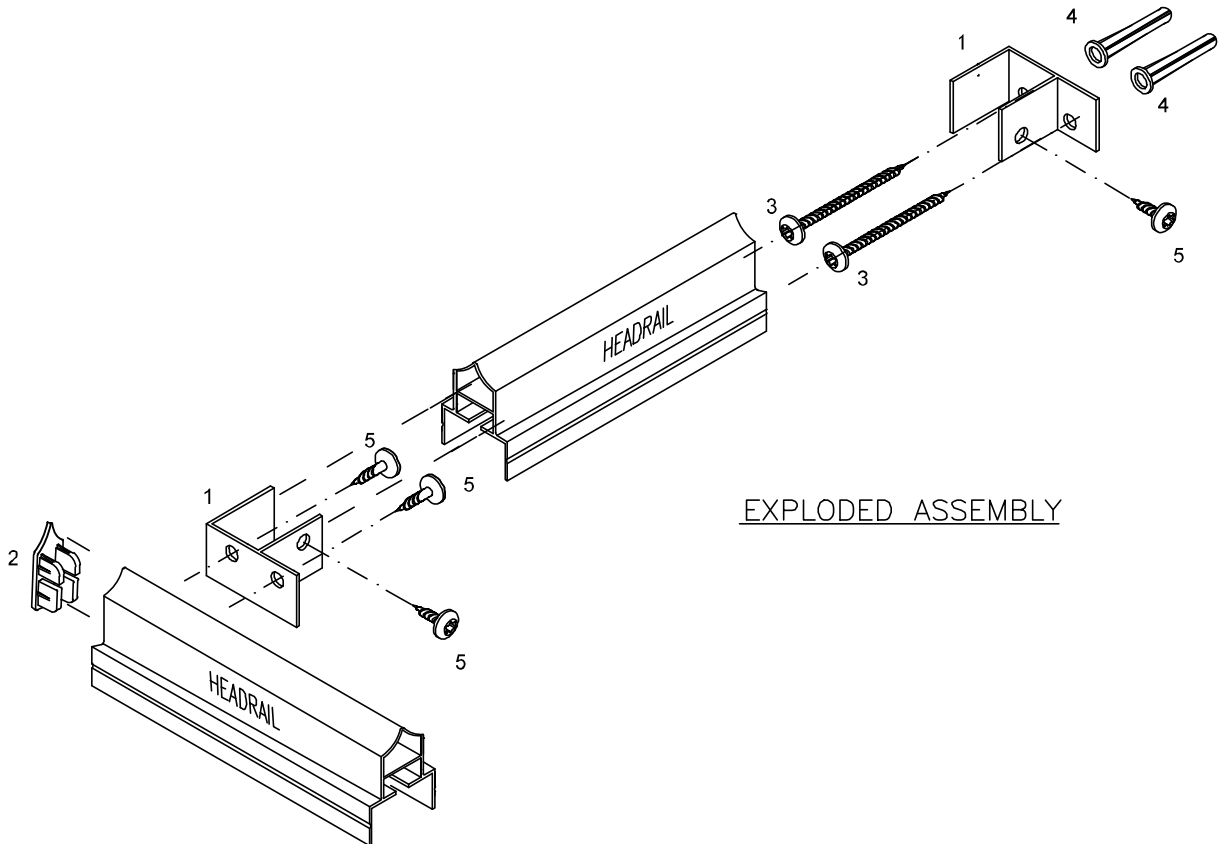


**HEADRAIL  
ASSEMBLY  
PHENOLIC**





Headrail Hardware Kit (P/N 8448100) Includes:

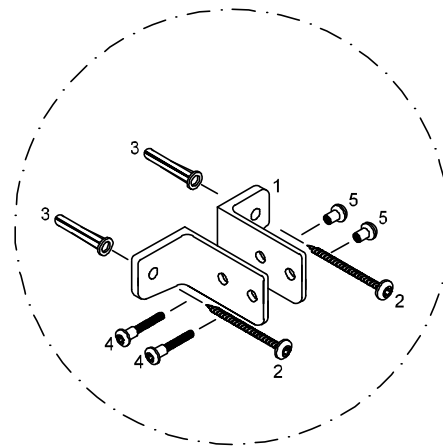
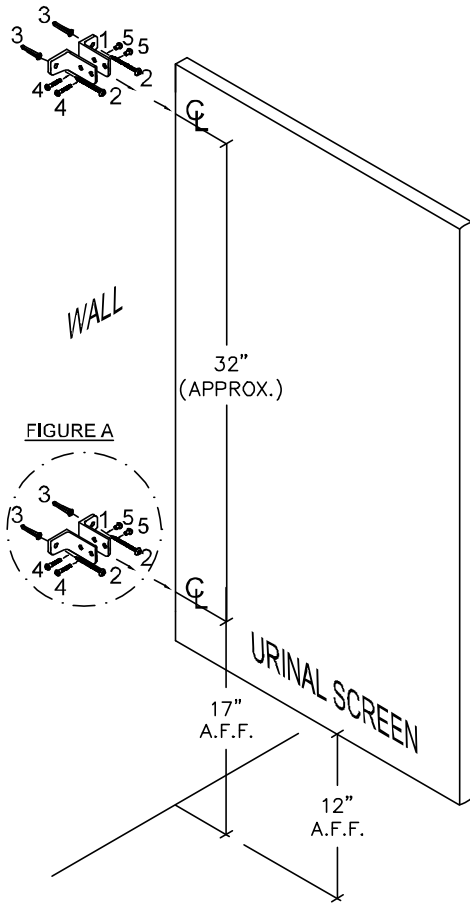
PART ID.	DESCRIPTION	QTY
1	 Headrail Satin "F" Zamac Bracket	(2)
2	 Headrail Cap Satin Zamac	(1)
3	 Vandal Resistant S/S #14 x 2 1/2" S.M.S	(2)
4	 Plastic Shield 14/16 x 1-1/2"	(2)
5	 Vandal Resistant 5/8" S.M.S	(4)



**URINAL SCREEN  
ASSEMBLY  
PHENOLIC**

- A. Before proceeding, confirm that backing of wall is adequate to support and secure mounting of urinal screens. Check dwgs for layout.
- B. Insert anchoring devices in walls and secure wall angle brackets with 2 1/2" s.m.s.
- C. Place urinal screen on a support, 12" above the floor.
- D. Set U/S into wall brackets and fasten.

Urinal Screen Hardware Kit (P/N 8271480) Includes: STAINLESS STEEL			
PART ID.		DESCRIPTION	QTY
1		S/S Wall Angle Brackets	(4)
2		Vandal Resistant 2 1/2" S.M.S	(4)
3		Plastic Shields	(4)
4		Vandal Resistant S/S Step Bolts 1/2" Long	(4)
5		Vandal Resistant S/S Barrel Nut	(4)



**FIGURE A**

## **CARE AND MAINTENANCE OF TOILET PARTITIONS**

In order to provide toilet partitions with the care and maintenance, the following instructions must be followed.

- A. All surfaces must be kept clean with water and a mild soap solution only.
- B. In high humidity areas, the rooms must be properly ventilated.
- C. "Hosing down" or wet washing of these units may cause water adsorption and damage.
- D. For maximum protection, periodic application of any standard furniture wax will be beneficial.
- E. In order to provide toilet partitions with the proper care and maintenance, the above instructions must be followed.

## **WARNING**

Under no circumstances should these components be subjected to:

- \*Abrasive powders or pads
- \*Water closet cleaners
- \*Ceramic tile cleaners
- \*Solutions containing more than 1% by volume of ammonia
- \*Solutions containing acids or lye
- \*Solutions containing enzymes

Attention to work progress during new construction or renovation is important.  
Other trades and cleaning services may use agents for ceramics and tiles that will damage these components