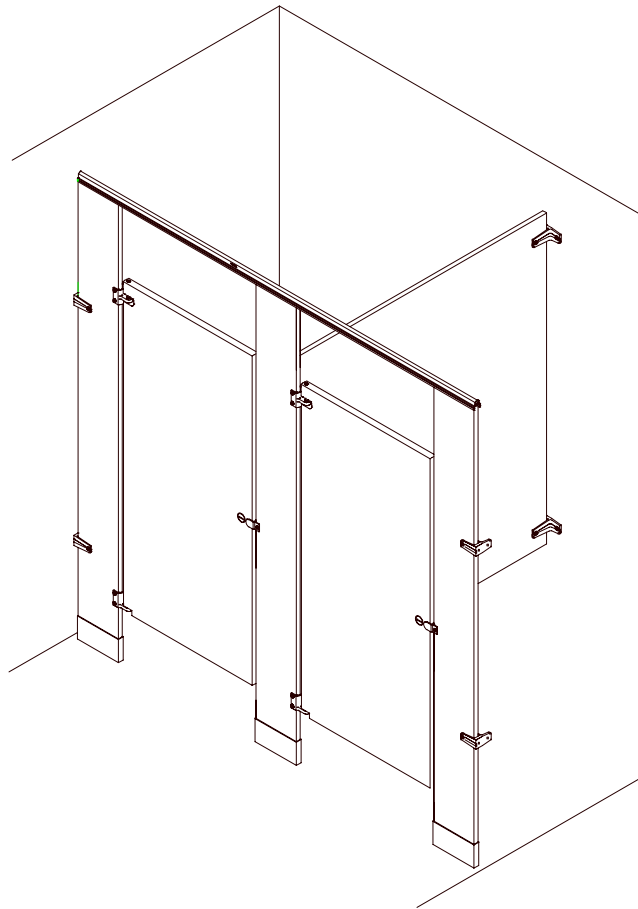




INSTALLATION INSTRUCTIONS FOR
STAINLESS STEEL

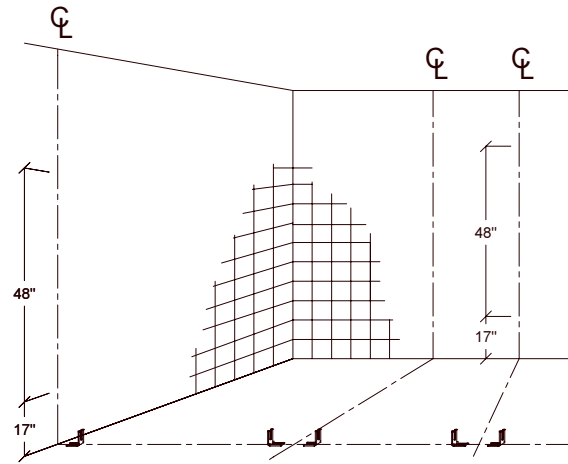
Floor Mounted Overhead Braced

Brought to you by One Point Partitions



STEP 1 LAYOUT

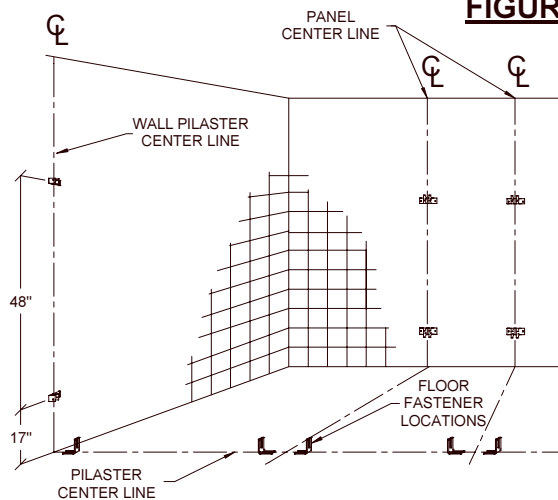
- A. Review the layout drawings and package lists that have accompanied this job.
- B. Before proceeding, confirm that backing of walls and floor is adequate to support secure mounting of the toilet compartment units.
- C. Establish and mark pilaster center line from back wall.
- D. Establish and mark panel center lines for wall brackets.
- E. Establish pilaster floor fastener locations from side wall according to shop drawings. (Note floor fasteners are located roughly 1" from lockstrip edge of pilaster. Larger overhead-braced pilasters will have multiple stems. Use only the 2 outside stems for floor attachment. Conversely, 3" and 4" pilasters will use only one "L" clip on one of the two stems.
- F. Mark wall bracket holes using the brackets as templates.

FIGURE 1

STEP 2 WALL BRACKETS AND FLOOR BRACKETS

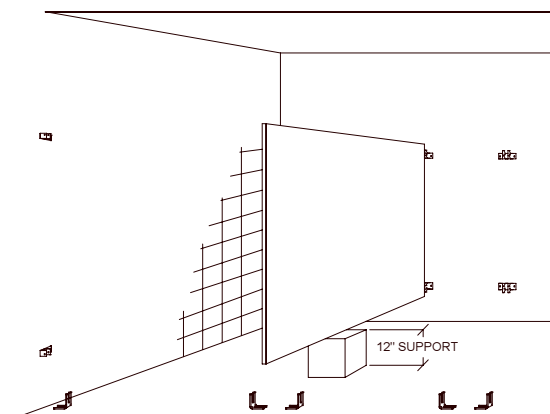
- A. Using shop drawings, drill holes for wall brackets and floor fastenings for particular fastening devices supplied. Typically 1/4" drill bits can be used throughout. An assortment of bit sizes are recommended as site conditions vary.
- B. Insert anchoring devices in walls and secure wall brackets.
- C. Insert expansion shields.
Position shoe clips and then "L" brackets over expansion shields and secure loosely with screws. (Securingly loosely at this time will allow for lateral pilaster adjustment.)

Detail of pilaster mounting can be found in Step 5.

FIGURE 2**FIGURE 3**

STEP 3 POSITION PANEL

- A. Place panel on a support, 12" above the floor.
- B. Set it into wall brackets, but do not fasten panel at this time.



STEP 4
PILASTER PREPARATION

- A. Refer to layout drawings for placement of U-brackets in position on rear of pilasters. Make sure brackets are in alignment with wall brackets.
- B. Fasten U-brackets to pilaster with sheet metal screws.

NOTE: Pilasters at wall do not require U-brackets, but should be prepared for wall (and floor fastening) as required by compartment layout.

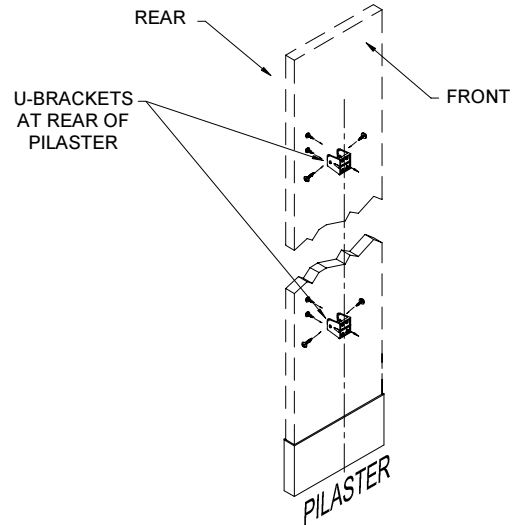


FIGURE 4

STEP 5
INSTALL PILASTERS

- A. Inspect stainless steel shoe carefully for bowing. If shoe seems wide, squeeze edges and center to ensure shoe will not bow away from pilaster faces. Slide stainless steel shoe carefully over mounting end of pilaster and leave approximately 5" above bottom end of pilaster. Shoe can be held in place with painters tape to avoid sliding.
- B. Place pilaster between "L" brackets and fasten loosely with screws at pre-drilled locations at each side. (3" and 4" pilasters will have only 1 "L" clip.) Adjust threaded Jack bolt until it reaches floor.

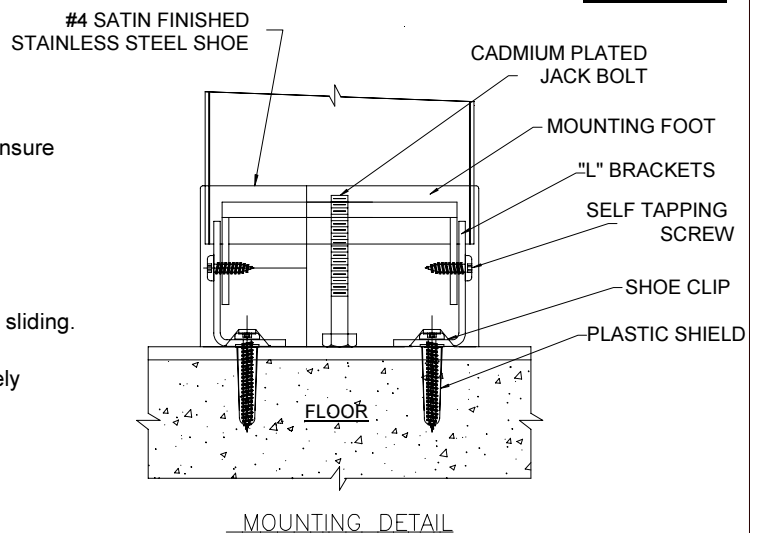


FIGURE 5

STEP 6
SECURING PILASTERS/PANELS

- A. Plumb each pilaster and fasten the pilaster to panel using "U" brackets and sheet metal screws.
- B. Establish door openings by setting pilaster mounting.
- C. Tighten self tapping screw to "L" brackets.
- D. Slide stainless steel shoe down to floor level, firmly engaging shoe clips.
- F. Remove panel support device.

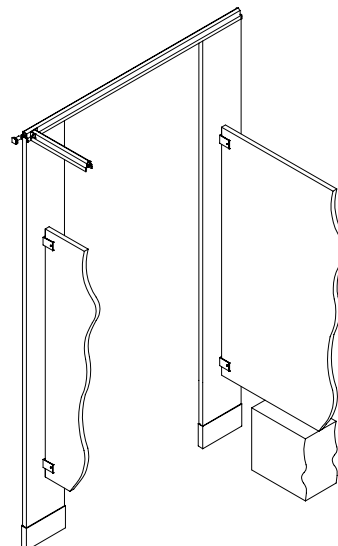


FIGURE 6

Pilaster Connection Either to a wall or other partition material

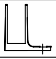



Fasten using sheet metal screws.

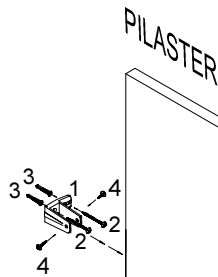
Pilasters must be both plumb and level. To assist in leveling, headrail may be lightly positioned across adjacent pilasters (do not fasten at this time)

Establish bottom door openings by adjusting pilaster "L" brackets (anchoring) to desired position and tightening screws. (See step 6)

Kit Code: SS1Z

Pilaster/Wall Hardware Kit (P/N 40-8515220G) Includes:

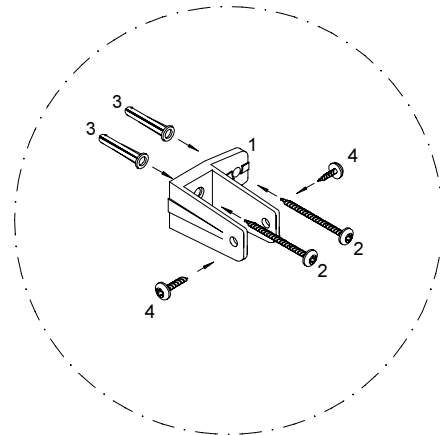
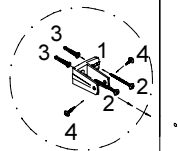
PART ID.	DESCRIPTION	QTY
1	 One Ear Wall Bracket	(2)
2	 Vandal Resistant 2 1/2" S.M.S	(4)
3	 Plastic Shields	(4)
4	 Vandal Resistant 5/8" S.M.S	(8)



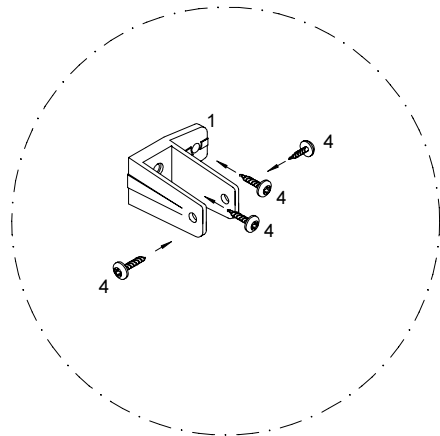
SEE SHOP DRAWINGS FOR
PILASTER TO WALL SPACING

WALL

FIGURE A



Bracket to Wall Connection



Bracket to Other Partition Connection

Replace Vandal Resistant 2 1/2" SMS
With Vandal resistant 5/8" SMS
To Fasten Pilaster To Panel.

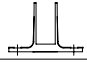
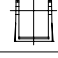



Panel to Pilaster and Wall Two Ear Bracket Connection

Fasten pilaster to panel using sheet metal screws(Refer to steps 4 & 6)

Pre-drill for screws with 1/8" bit.

Pilasters must be both plumb and level. To assist in leveling, headrail may be lightly positioned across adjacent pilasters(do not fasten at this time)

Remove support device.

Kit Code: SS2Z		
Panel Hardware Kit (P/N 40-8515040G) Includes:		
PART ID.	DESCRIPTION	QTY
1	 Two Ear Bracket	(2)
2	 "U" Bracket	(2)
3	 Vandal Resistant 2 1/2" S.M.S	(4)
4	 Plastic Shields	(4)
5	 Vandal Resistant 5/8" S.M.S	(12)

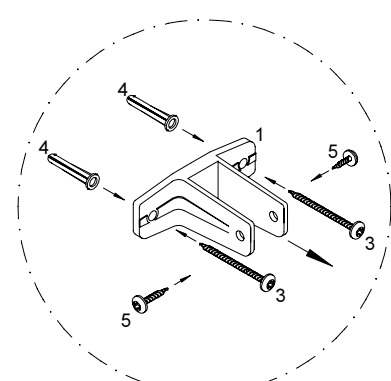
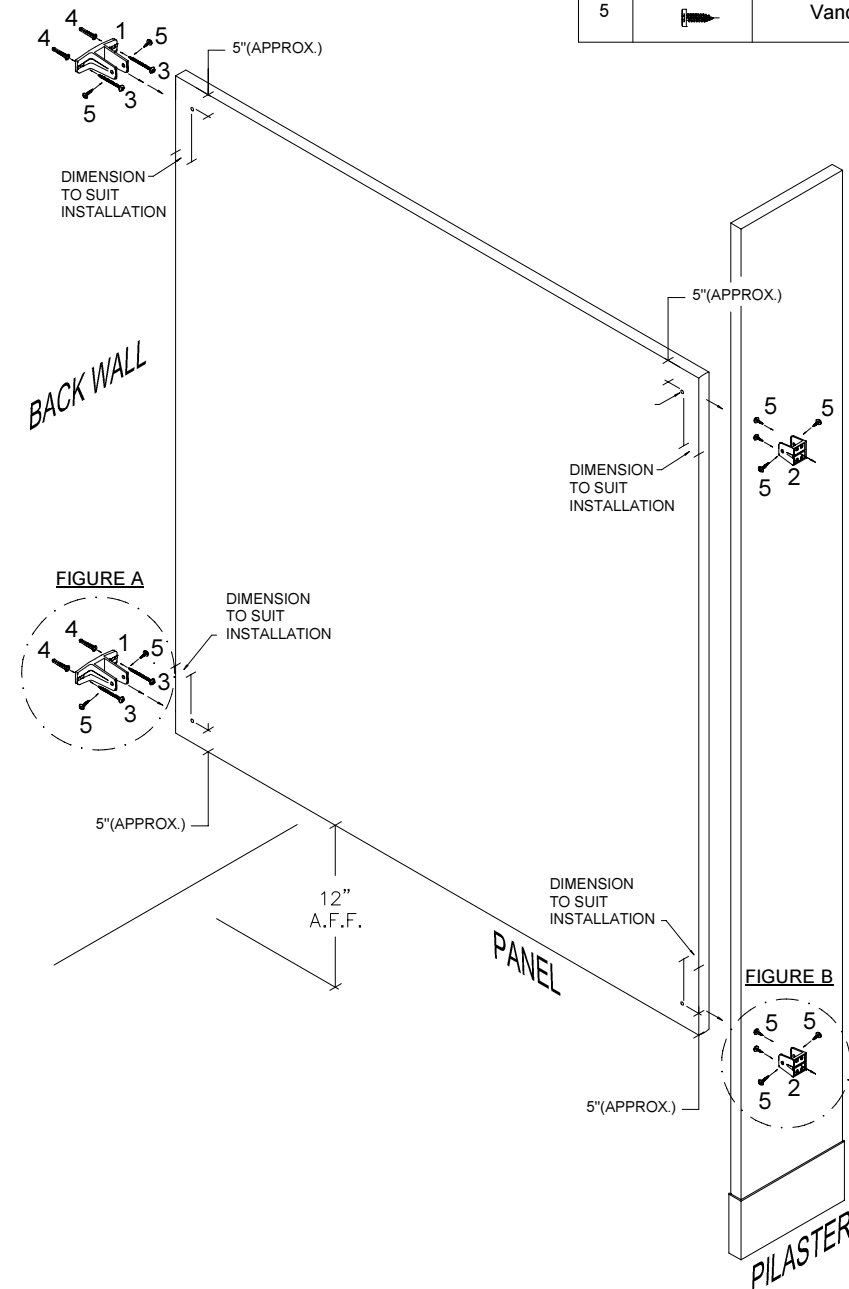


FIGURE A

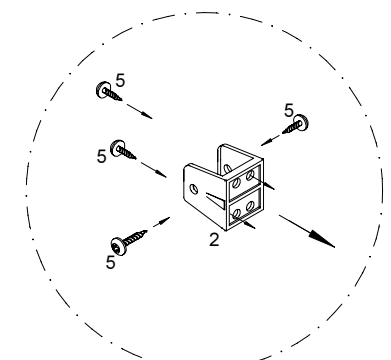


FIGURE B

NOTE:
Use Only Two Vandal Resistant 5/8" SMS
To Diagonally Fasten U-bracket
To Pilaster.

Panel to Pilaster and Wall One Ear Bracket Connection

Fasten pilaster to panel using sheet metal screws(Refer to steps 4 & 6)

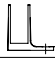


Pre-drill for screws with 1/8" bit.

Pilasters must be both plumb and level. To assist in leveling, headrail may be lightly positioned across adjacent pilasters(do not fasten at this time)

Remove support device.

Kit Code: SS3Z

Panel Hardware Kit (P/N 40-8515030G) Includes:

PART ID.	DESCRIPTION	QTY
1	 One Ear Bracket	(2)
2	 "U" Bracket	(2)
3	 Vandal Resistant 2 1/2" S.M.S	(4)
4	 Plastic Shields	(4)
5	 Vandal Resistant 5/8" S.M.S	(12)

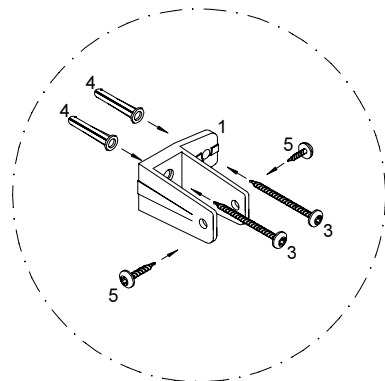
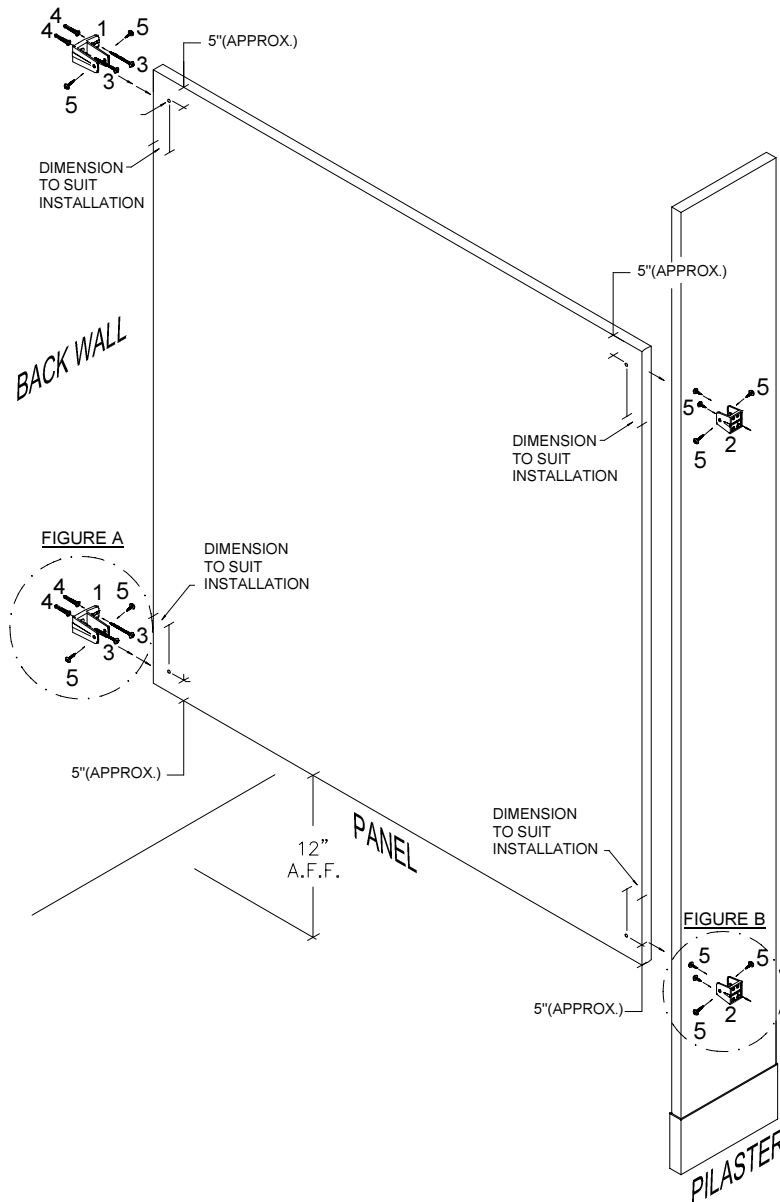
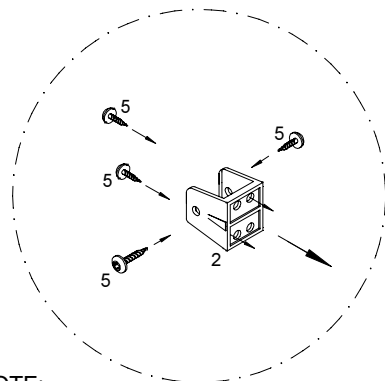


FIGURE A



NOTE:
Use Only Two Vandal Resistant 5/8" SMS
To Diagonally Fasten U-bracket To Pilaster.

FIGURE B

**Alcove Connection
With either 1 eared or
2 eared brackets**

Note:
Replace Kit#8517330 with Kit#8517340
for two ear panel locations.

Kit Code: SS4Z

Alcove Hardware Kit (P/N 40-8517330G) Includes:

PART ID.	DESCRIPTION	QTY
1	1 1/4" One Ear Wall Bracket	(2)
2	Vandal Resistant 2 1/2" S.M.S	(10)
3	Plastic Shields	(10)
4	Vandal Resistant 5/8" S.M.S	(14)
5	Alcove Clip	(2)
6	1" One Ear Wall Bracket	(2)
7	Vandal Resistant 1" S.M.S	(4)
8	Bracket Headrail Satin "F" Zamac	(1)

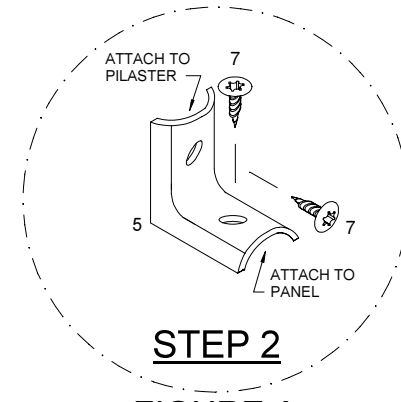
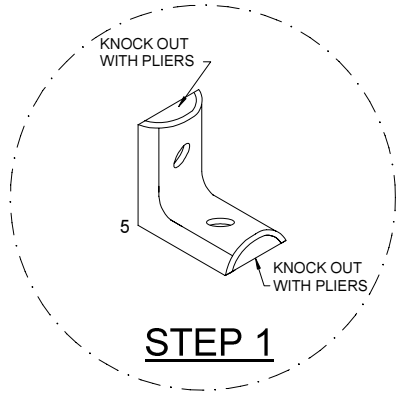
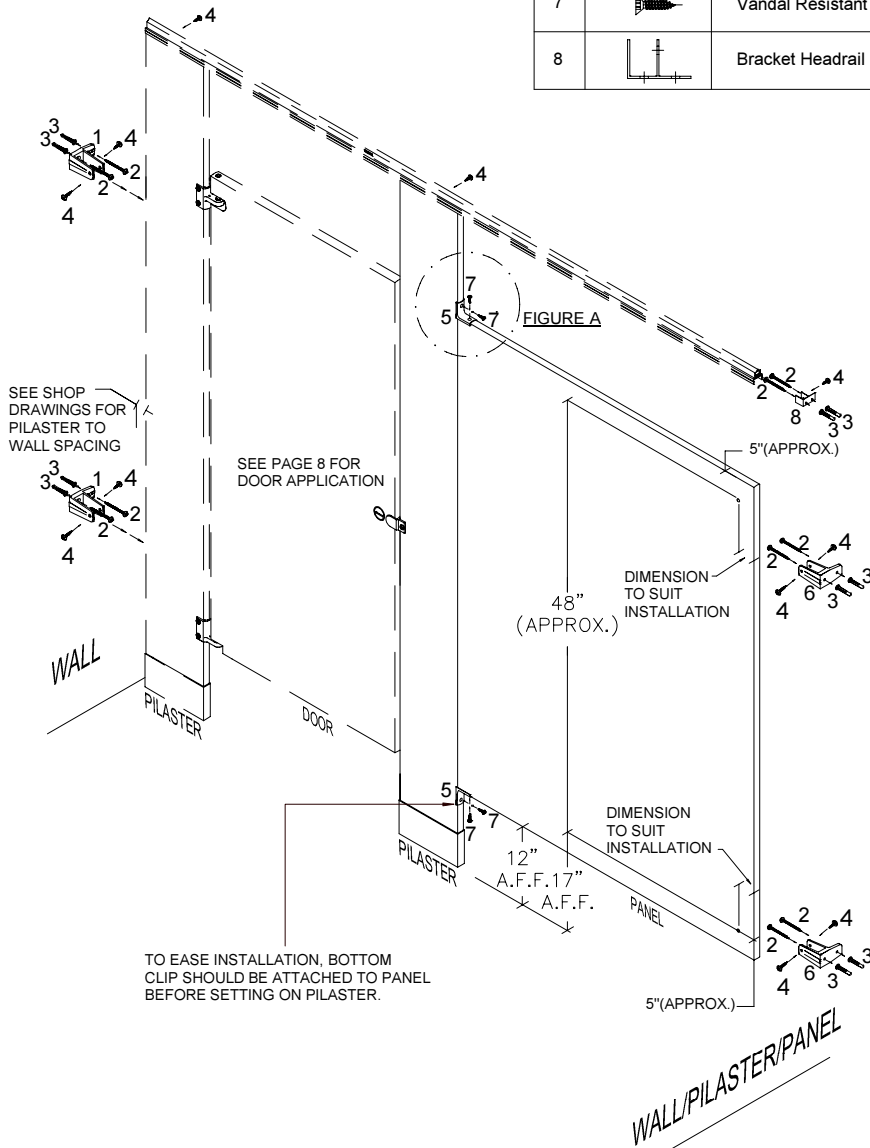
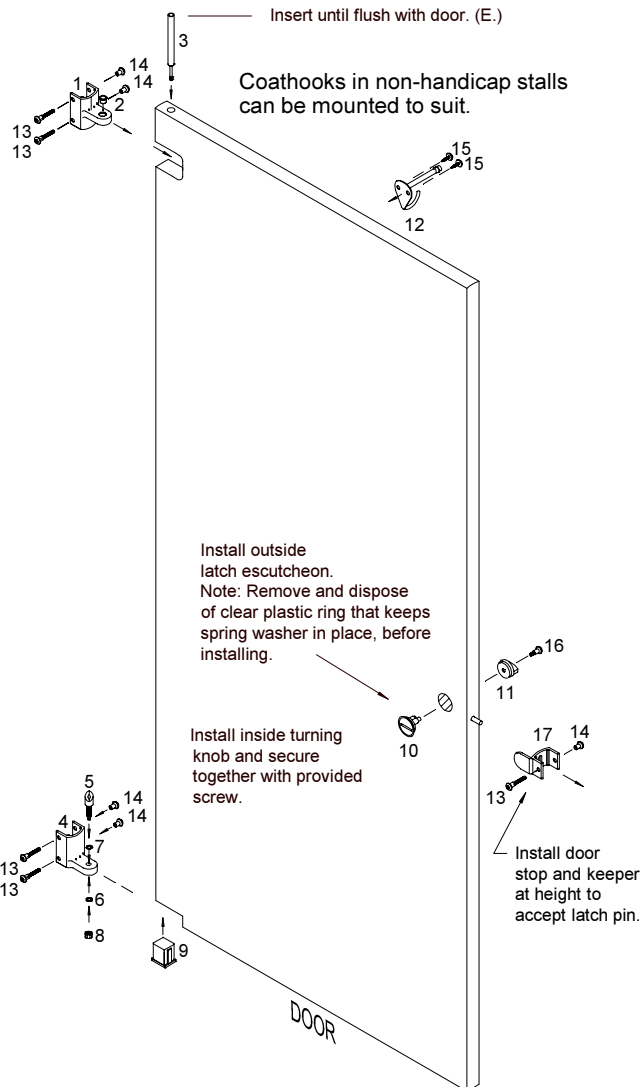


FIGURE A

Inswing Standard Door Connection

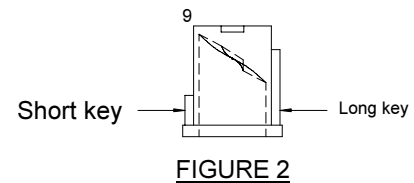
- A. Secure lower door pilaster hinge (with cam pintle in place) to pilaster with two through bolts.
- B. Secure upper door hinge (with bushing lip upward) to pilaster with two through bolts and barrel nuts. Note that the cammed hinge will force the door to rise when opened. Take this into consideration when installing and allow adequate space.
- C. Insert box cam into lower door hinge portion, short key toward edge of door (figure 2)
- D. Lowest point of cam pintle sets door "rest" position. Rotate pintle to desired position, then tighten locking nut.
- E. Install door by placing the box cam over the hinge pintle. Position top of door over upper pilaster hinge and insert hinge pin until flush with top of door.



Kit Code: **SSINZ** (P/N 40-8513500G)

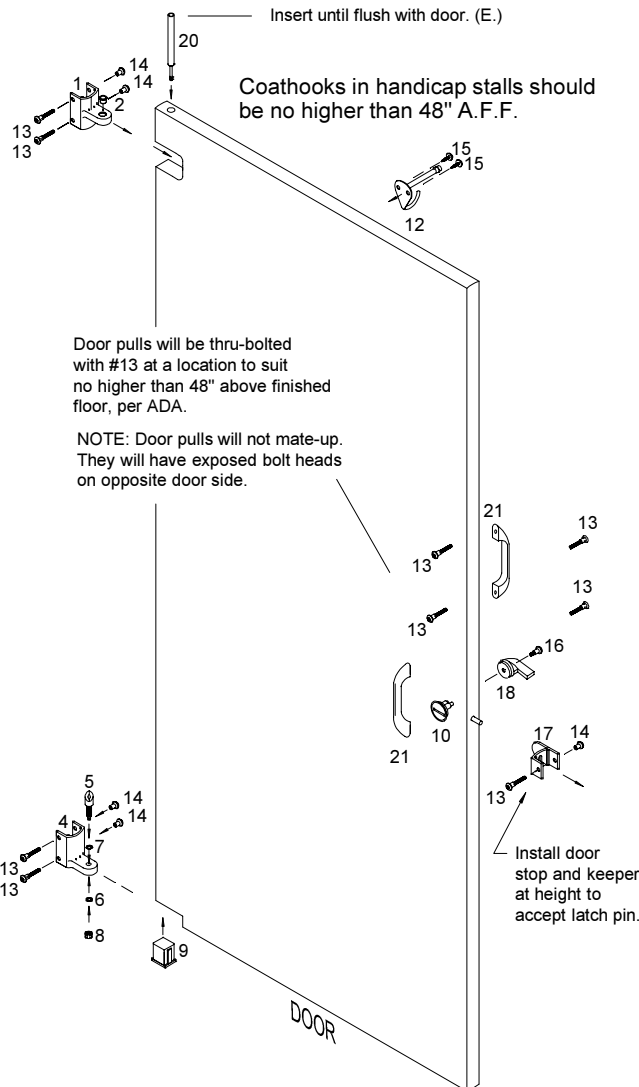
PART ID.	DESCRIPTION	QTY
1	Hinge Top Pilaster Bracket	(1)
2	Hinge Bushing Nylon	(1)
3	Nylon Hinge Pin	(1)
4	Hinge Botom Pilaster Bracket	(1)
5	Hinge Pintle Nylon	(1)
6	Hinge Washer Internal	(1)
7	Hinge Washer External	(1)
8	Hinge Nut 5/16"	(1)
9	Box Cam Nylon	(1)
10	Knob Concealed Latch Male w/ spring washer	(1)
11	Knob Concealed Latch Female	(1)
12	Bumper And Coathook	(1)
13	Vandal Resistant Step Bolts 1 1/4" long	(5)
14	Vandal Resistant Barrel Nut	(5)
15	Vandal Resistant S.M.S. 5/8"	(2)
16	Step Bolt 1/2"	(1)
17	Latch Concealed Stop And Keeper	(1)

Note:
If the door is an outswing or a door that is 32" or larger, refer to the Outswing Door Connection page.



Outswing and Large Door Connection

- A. Secure lower door pilaster hinge (with cam pintle in place) to pilaster with two through bolts.
- B. Secure upper door hinge (with bushing lip upward) to pilaster with two through bolts and barrel nuts. Note that the cammed hinge will force the door to rise when opened. Take this into consideration when installing and allow adequate space.
- C. Insert box cam into lower door hinge portion, short key toward edge of door (figure 2)
- D. Lowest point of cam pintle sets door "rest" position. Rotate pintle to desired position, then tighten locking nut.
- E. Install door by placing the box cam over the hinge pintle. Position top of door over upper pilaster hinge and insert hinge pin until flush with top of door.



Kit Code: SSOUTZ (P/N 40-8513500G)

PART ID.	DESCRIPTION	QTY
1	Hinge Top Pilaster Bracket	(1)
2	Hinge Bushing Nylon	(1)
3	Nylon Hinge Pin (Use SS Hinge Pin in kit 40-8513510 instead)	(1)
4	Hinge Botom Pilaster Bracket	(1)
5	Hinge Pintle Nylon	(1)
6	Hinge Washer Internal	(1)
7	Hinge Washer External	(1)
8	Hinge Nut 5/16"	(1)
9	Box Cam Nylon	(1)
10	Knob Concealed Latch Male w/ spring washer	(1)
11	Knob Concealed Latch (Use ADA Handle in kit 40-8513510 instead)	(1)
12	Bumper And Coathook	(1)
13	Vandal Resistant Step Bolts 1 1/4" long	(5)
14	Vandal Resistant Barrel Nut	(5)
15	Vandal Resistant S.M.S. 5/8"	(2)
16	Step Bolt 1/2"	(1)
17	Latch Concealed Stop And Keeper	(1)

OUTSWING DOOR HARDWARE PROVIDED FOR OUTSWING DOORS.

(P/N 40-8513510G)

PART ID.	DESCRIPTION	QTY
18	ADA Handle	(1)
19	Bumper	(1)
20	St/St Hinge Pin	(1)
21	Pull Handle	(2)
13	Vandal Resistant Step Bolts 1 1/4" long	(4)
22	Vandal Resistant S.M.S. 5/8"	(2)
16	Step Bolt 1/2"	(1)

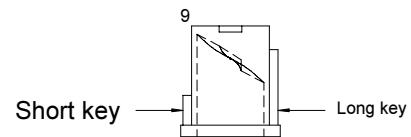
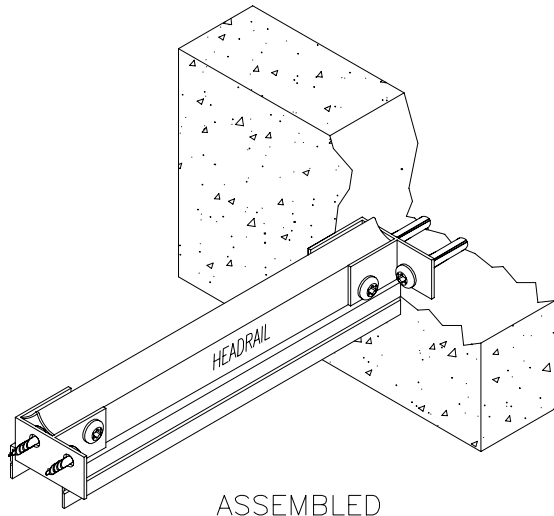


FIGURE 2

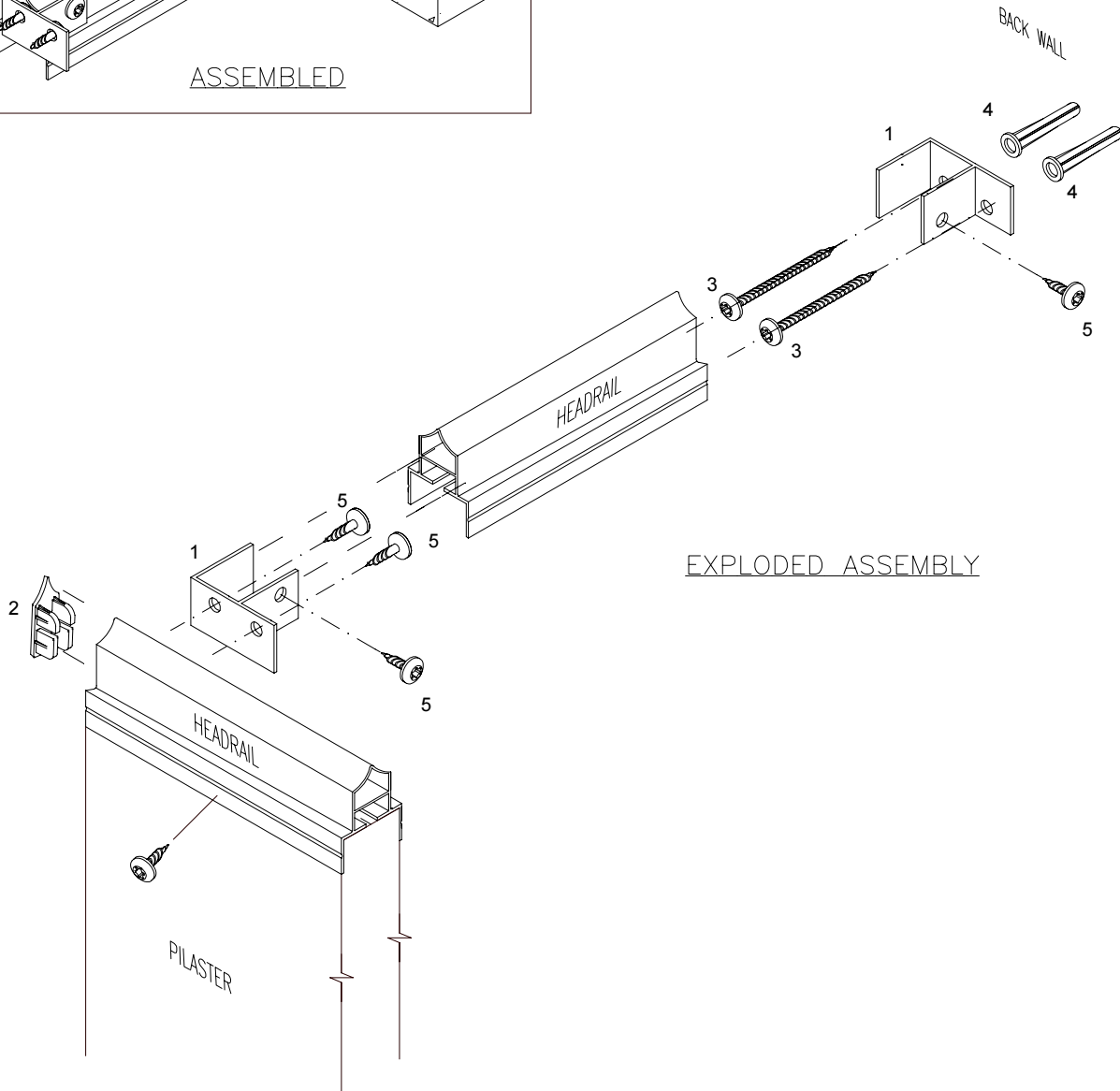
NOTE: When door pulls are used (#21, 13), offset pulls either adjacent to or above and below knobs.

Headrail Connection



Headrail Hardware Kit (P/N 40-8448100G) Includes:

PART ID.	DESCRIPTION	QTY
1	Headrail Satin "F" Zamac Bracket	(2)
2	Headrail Cap Satin Zamac	(1)
3	Vandal Resistant S/S 2 1/2" S.M.S	(2)
4	Plastic Shield	(2)
5	VandalResistant S/S 5/8" S.M.S	(4)

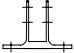





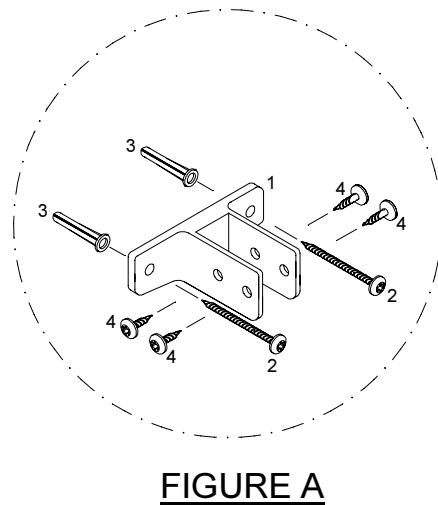
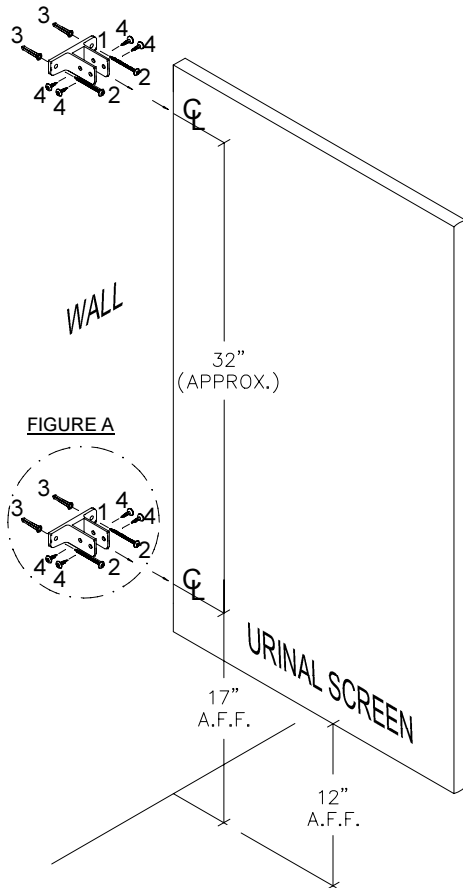
Urinal Screen Connection

- A. Before proceeding, confirm that backing of wall is adequate to support and secure mounting of urinal screens. Check dwgs for layout.
- B. Insert anchoring devices in walls and secure wall brackets with 2 1/2" s.m.s.
- C. Place urinal screen on a support, 12" above the floor.
- D. Set U/S into wall brackets and fasten urinal screen at this time, using 5/8" fasteners.

Kit Code: SS5Z

Urinal Screen Hardware Kit (P/N 40-8511281G) Includes:

PART ID.	DESCRIPTION	QTY
1	 Two Ear Wall U/S Bracket	(2)
2	 Vandal Resistant 2 1/2" S.M.S	(4)
3	 Plastic Shields	(4)
4	 Vandal Resistant 5/8" S.M.S	(8)



CARE AND MAINTENANCE OF TOILET PARTITIONS

In order to provide toilet partitions with the care and maintenance, the following instructions must be followed.

- A. All surfaces must be kept clean with water and a mild soap solution only.
- B. In order to provide toilet partitions with the proper care and maintenance, the above instructions must be followed.

WARNING

Under no circumstance should these components be subjected to:

- *Abrasive powders or pads
- *Water closet cleaners
- *Ceramic tile cleaners
- *Solutions containing more than 1% by volume of ammonia
- *Solutions containing acids or lye
- *Solutions containing enzymes

Attention to work progress during new construction or renovation is important.
Other trades and cleaning services may use agents for ceramics and tiles that will damage these components.

5 YEAR WARRANTY

These partitions made by Global Partitions are guaranteed to be fabricated in accordance with Global's approved specifications and drawings.

Global Partitions guarantees its stainless steel partitions, properly maintained, against corrosion or discoloration, for 5 years from the date of receipt by the customer.

This warranty shall not be applicable if vandalism or improper cleaning/maintenance of partitions has contributed as just cause for partition failure. See the full warranty on Global Partitions website or call for a copy.