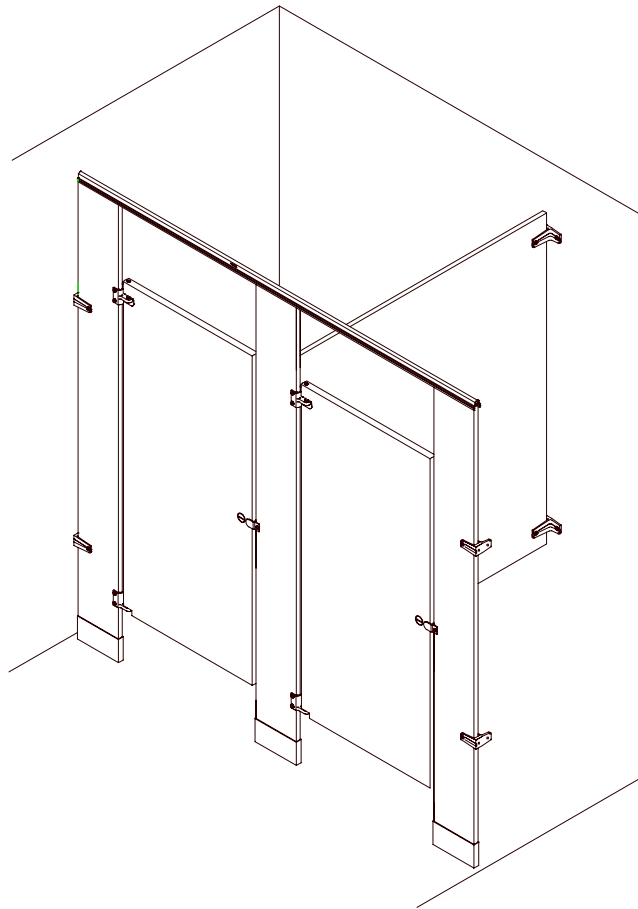




INSTALLATION INSTRUCTIONS FOR
PLASTIC LAMINATE

Floor Mounted Overhead Braced

Brought to you by One Point Partitions

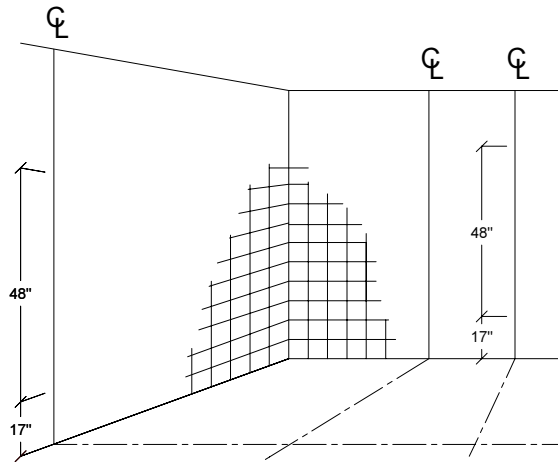


STEP 1
FLOOR ANCHORED/OVERHEAD BRACED

NOTE:FLOOR MUST BE CONCRETE

- A. Review the layout drawings and package lists that have accompanied this job.
- B. Establish and mark pilaster center line from back wall.
- C. Establish and mark panel center lines for wall brackets.
- D. Establish pilaster floor fastener locations from side wall according to shop drawings. (Note floor fasteners are located 1" from edge of pilaster.)
- E. Mark wall bracket holes using brackets as templates.

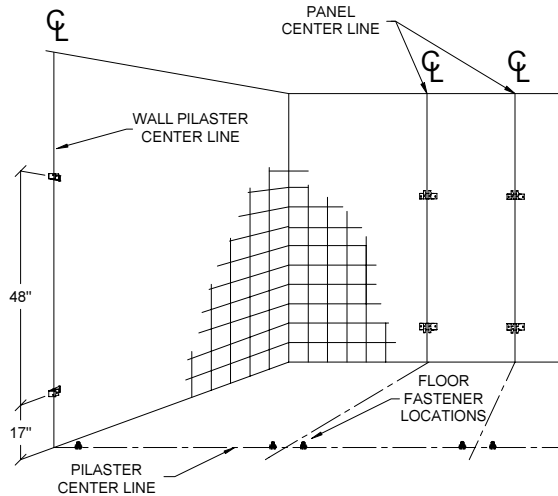
FIGURE 1



STEP 2
WALL BRACKETS AND FLOOR BRACKETS

- A. Drill holes for wall brackets and floor fastenings of appropriate size for particular fastening devices supplied.
- B. Before proceeding,confirm that backing of walls and floor is adequate to support secure mounting of the toilet compartment units.
- C. Insert anchoring devices in walls and secure wall brackets.
- D. Install wedge anchor,shoe clip,washer and nut into concrete floor and tighten.

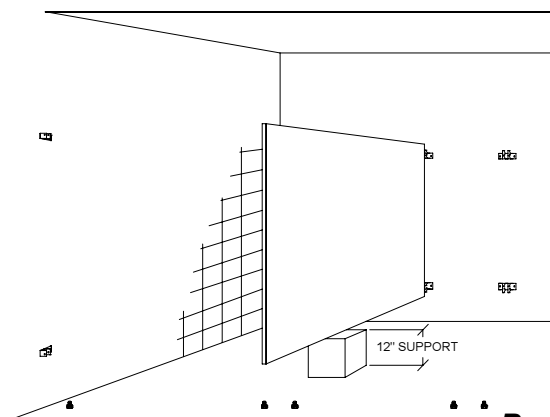
FIGURE 2



STEP 3
POSITION PANEL

- A. Place panel on a support, 12" above the floor.
- B. Set it into wall brackets,but do not fasten panel at this time.

FIGURE 3



**STEP 4
PILASTER PREPARATION**

- A. Align U-brackets in position on rear of pilasters. Refer to layout drawings and make sure brackets are in alignment with wall brackets.
- B. Fasten U-brackets to pilaster with sheet metal screws.
- C. Pilasters at wall do not require U-brackets, but should be prepared for wall and floor fastening as required by compartment layout.

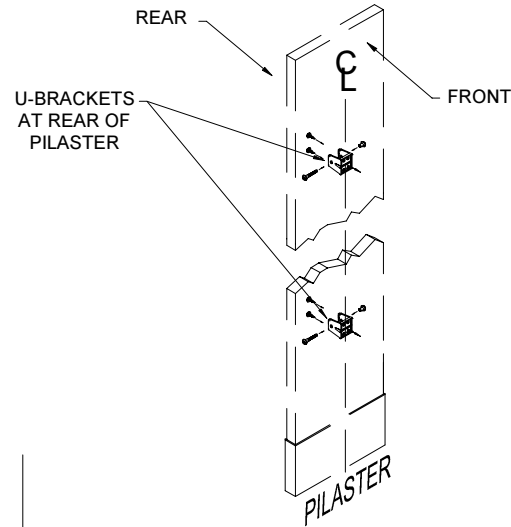


FIGURE 4

**STEP 5
INSTALL PILASTERS**

- A. Slide stainless steel shoe carefully over mounting end of pilaster and leave approximately 5" above end.
- B. Thread support nuts and mounting washers over wedge anchor to support pilaster mounting bar.
- C. Position pilaster and mounting bar on threaded anchor and attach lightly with square flat washer, lockwasher and locking nut.

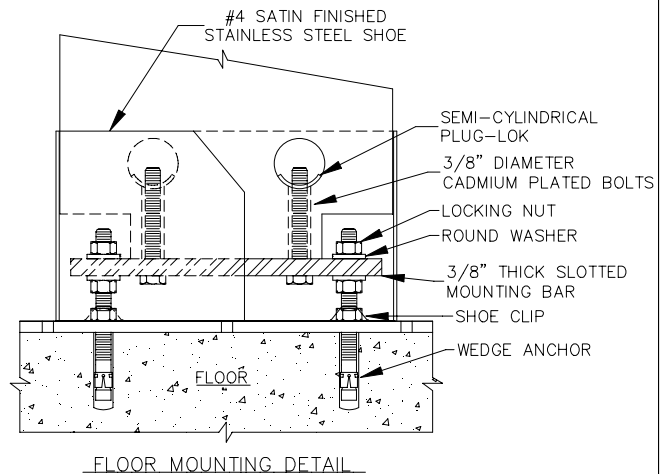


FIGURE 5

**STEP 6
SECURING PILASTERS/PANELS**

- A. Level each pilaster by adjusting both support nuts to desired position.
- B. Plumb each pilaster and fasten the pilaster to panel using through bolts or sheet metal screws.
- C. Establish door openings by setting pilaster mounting bar to desired position on anchor.
- D. Tighten locking nuts on top of pilaster mounting bar.
- E. Slide stainless steel shoe down to floor, firmly engaging shoe clips.
- F. Fasten panel to wall brackets using through bolts.
- G. Remove panel support device.

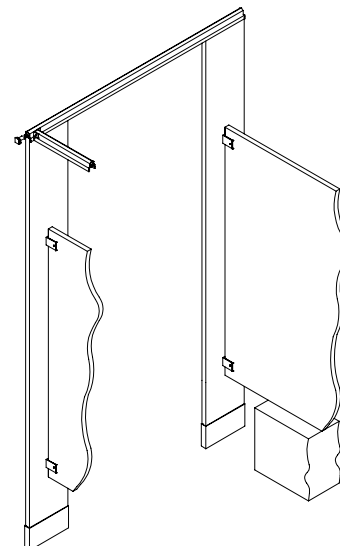


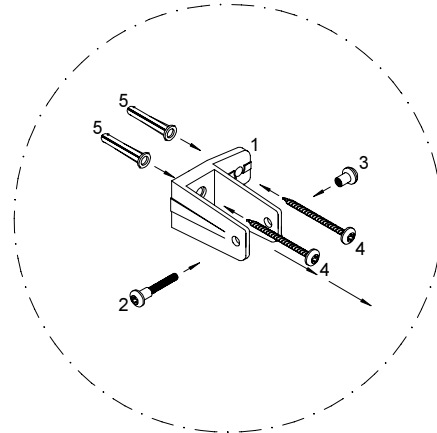
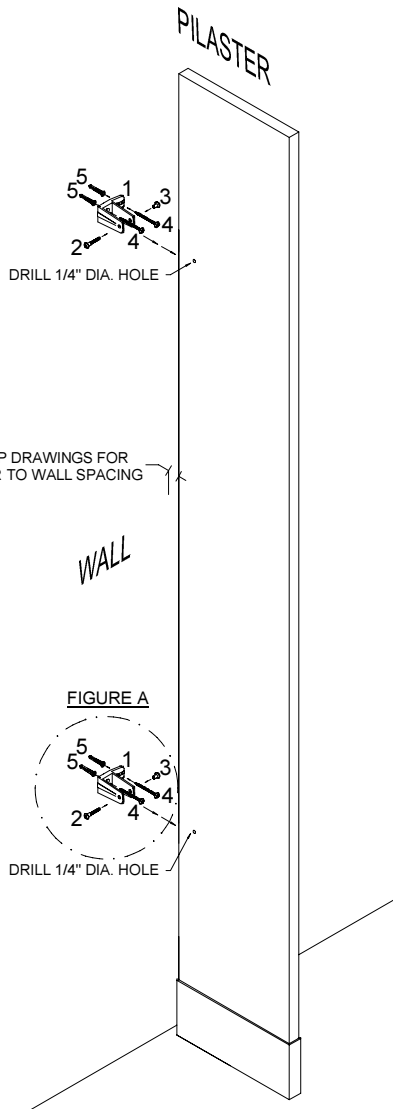
FIGURE 6

Pilaster Connection Either to a wall or other partition material

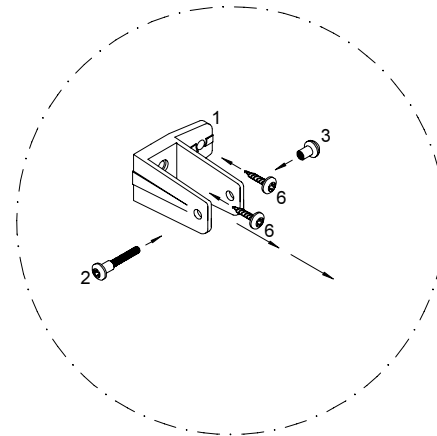
Pilasters must be both plumb and level. To assist in leveling, headrail may be lightly positioned across adjacent pilasters(do not fasten at this time)

- A. Fasten pilaster to wall bracket using through bolts or sheet metal screws.
- B. Establish door openings by adjusting pilaster mounting bar to desired position and tighten nuts. Refer to step 6.

Kit Code: Plam1Z			
Pilaster/Wall Hardware Kit (P/N 40-8515210) Includes:			
PART ID.		DESCRIPTION	QTY
1		One Ear Wall Bracket	(2)
2		Vandal Resistant Step Bolts 1 1/4" Long	(2)
3		Vandal Resistant Barrel Nut	(2)
4		Vandal Resistant 2 1/2" S.M.S	(4)
5		Plastic Shields	(4)
6		Vandal Resistant 5/8" S.M.S	(4)



Bracket to Wall Connection



Bracket to Other Partition Connection

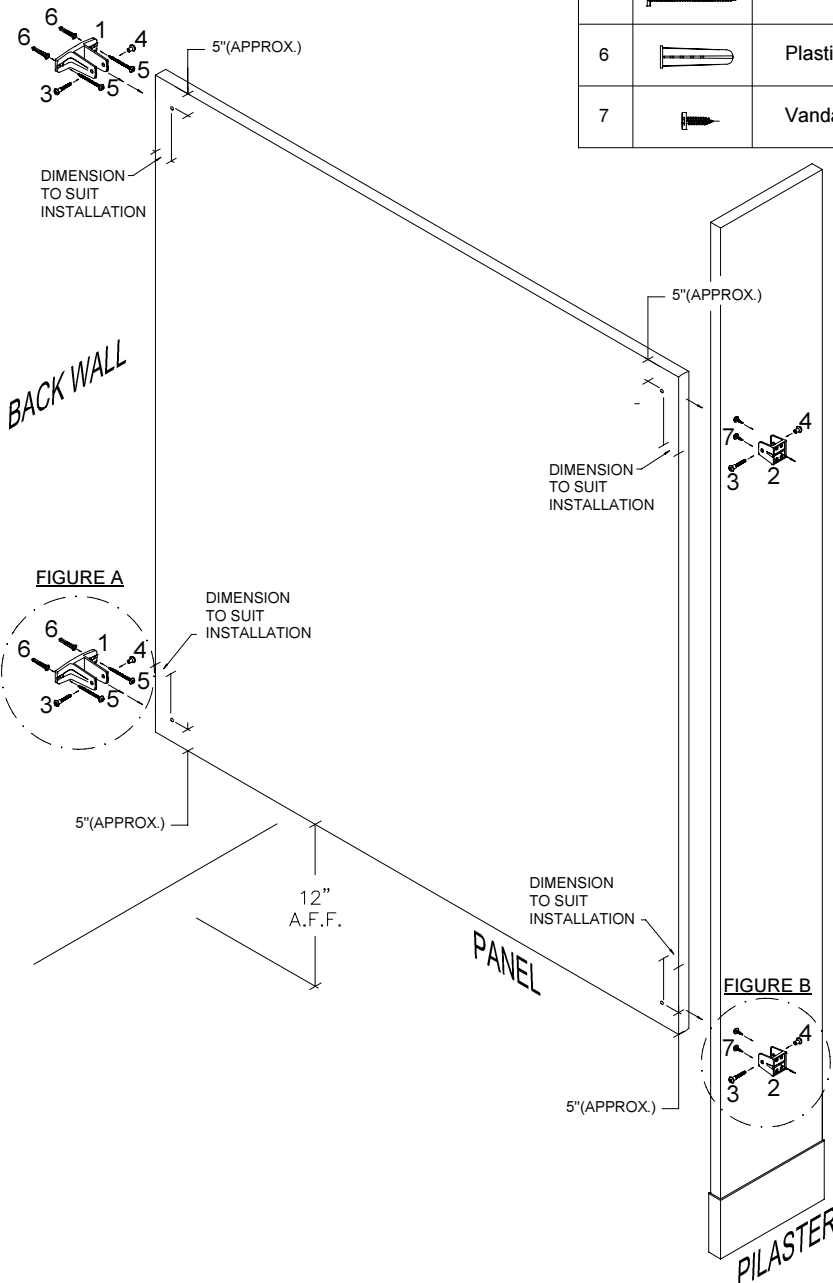
Replace Vandal Resistant 2 1/2" SMS
With Vandal resistant 5/8"SMS
To Fasten Pilaster To Panel.

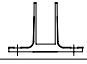
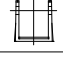





Panel to Pilaster and Wall Two Ear Bracket Connection

Pilasters must be both plumb and level. To assist in leveling, headrail may be lightly positioned across adjacent pilasters (do not fasten at this time) Refer to steps 4 & 6.

A. Fasten panel to 2-ear bracket at wall with through bolts.

B. Plumb pilaster and fasten pilaster to panel using through bolts or sheet metal screws to "U" brackets.



Kit Code: Plam2Z		
Panel Hardware Kit (P/N 8515020) Includes:		
PART ID.	DESCRIPTION	QTY
1	 Two Ear Bracket	(2)
2	 "U" Bracket	(2)
3	 Vandal Resistant Step Bolts 1" Long	(4)
4	 Vandal Resistant Barrel Nut	(4)
5	 Vandal Resistant 2 1/2" S.M.S	(4)
6	 Plastic Shields	(4)
7	 Vandal Resistant 5/8" S.M.S	(4)

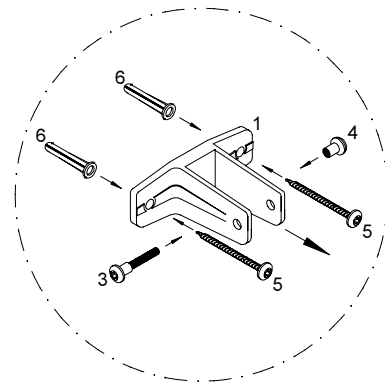
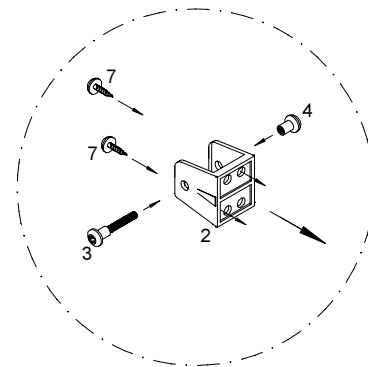


FIGURE A



NOTE:
Use Only Two Vandal resistant 5/8"
To Diagonally Fasten U-bracket To Pilaster.

FIGURE B

Panel to Pilaster and Wall One Ear Bracket Connection

Pilasters must be both plumb and level. To assist in leveling, headrail may be lightly positioned across adjacent pilasters (do not fasten at this time) Refer to steps 4 & 6.

A. Fasten panel to 1-ear bracket at wall with through bolts.

B. Plumb pilaster and fasten pilaster to panel using through bolts or sheet metal screws to "U" brackets.

Kit Code: Plam3Z			
Panel Hardware Kit (P/N 8515010) Includes:			
PART ID.		DESCRIPTION	QTY
1		One Ear Bracket	(2)
2		"U" Bracket	(2)
3		Vandal Resistant Step Bolts 1" Long	(4)
4		Vandal Resistant Barrel Nut	(4)
5		Vandal Resistant 2 1/2" S.M.S	(4)
6		Plastic Shields	(4)
7		Vandal Resistant 5/8" S.M.S	(4)

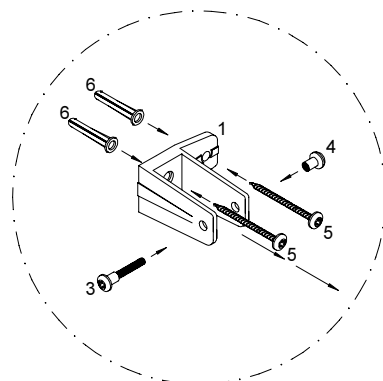
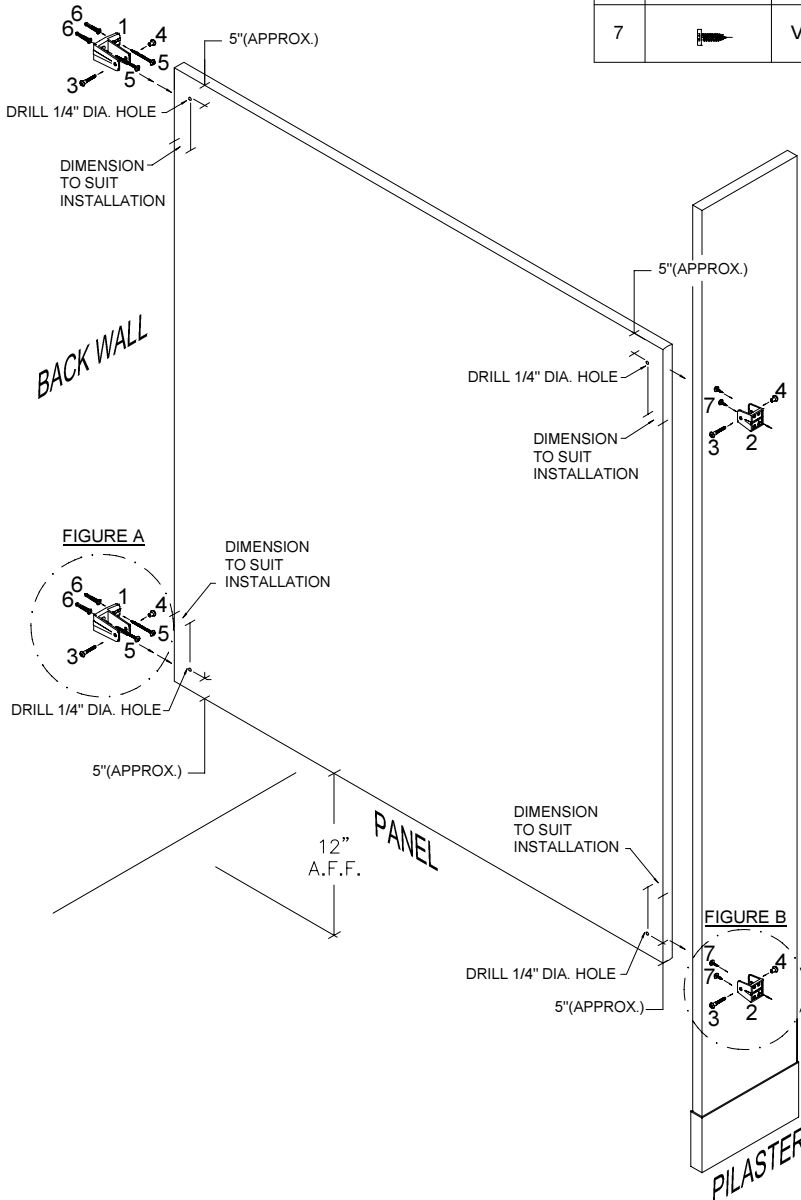
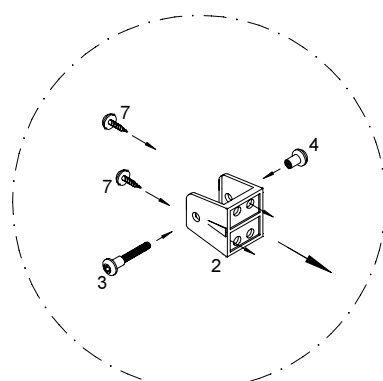


FIGURE A



NOTE:
Use Only Two Vandal resistant 5/8"
To Diagonally Fasten U-bracket To Pilaster.

FIGURE B


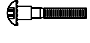




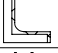




**Alcove Connection
With either 1 eared or
2 eared brackets**

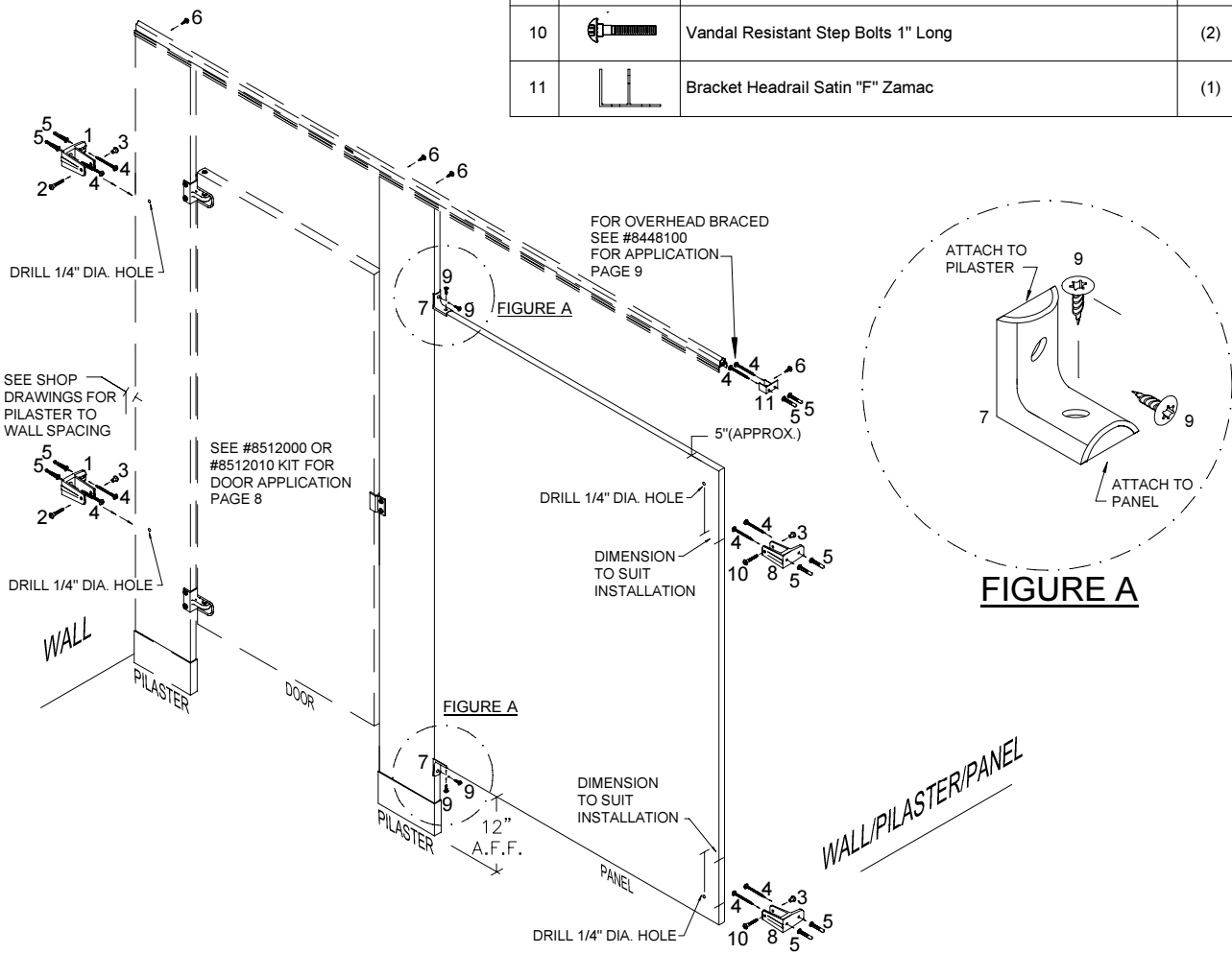
Note:

Replace #8517310 with #8517320 for two ear bracket kit.

Kit Code: Plam4Z

Alcove Hardware Kit (P/N 8517310) Includes:

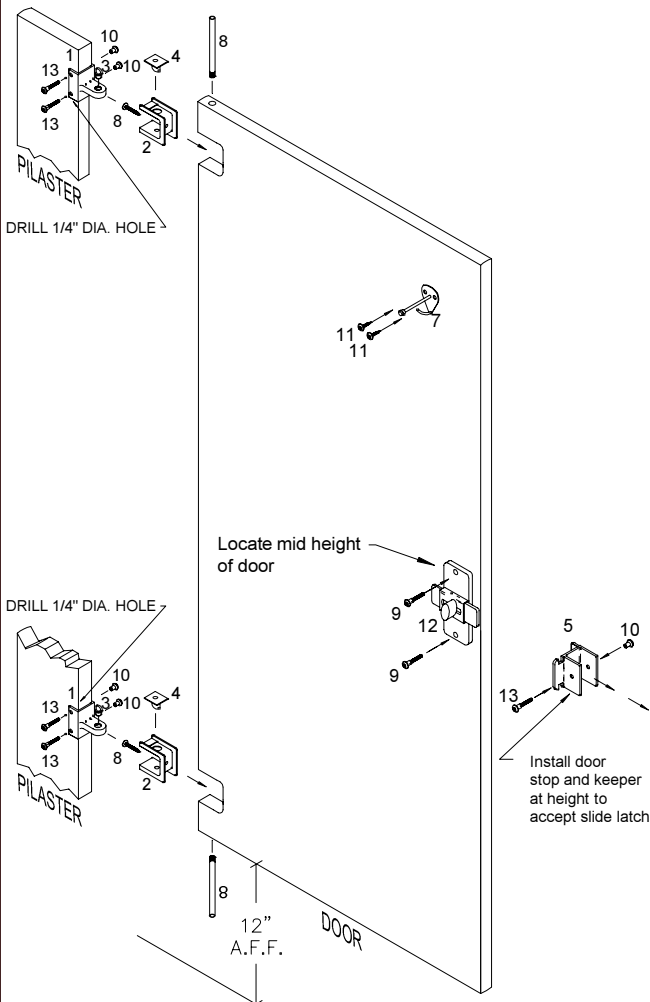
PART ID.	DESCRIPTION	QTY
1	 1 1/4" One Ear Wall Bracket	(2)
2	 Vandal Resistant Step Bolts 1 1/4" Long	(2)
3	 Vandal Resistant Barrel Nut	(4)
4	 Vandal Resistant 2 1/2" S.M.S	(10)
5	 Plastic Shields	(10)
6	 Vandal Resistant 5/8" S.M.S (Balance For Fastening Pilaster /Panel)	(14)
7	 Alcove Clip	(2)
8	 1" One Ear Wall Bracket	(2)
9	 Vandal Resistant 1" S.M.S	(4)
10	 Vandal Resistant Step Bolts 1" Long	(2)
11	 Bracket Headrail Satin "F" Zamac	(1)



Inswing Standard Door Connection

- A. Insert a top nylon cam into the upper and lower door hinge insert closure bracket, as illustrated so that cam base is flush with inner bracket surface. See figure A
- B. Insert each door hinge insert (with top cam in place) into the upper and lower openings in the door, anchoring with #10 x 1" screw. See figure A
- C. Insert bottom nylon cam into the pilaster portion of the hinge bracket assembly. See figure B. The cam should be set to same desired position on upper and lower hinge assemblies. See figure C.
- D. Connect top and bottom hinge pilaster bracket to door & hinge. Insert with hinge pin through the top and bottom of the door until the pin is flush with the door edge.
- E. With hinges in place, position door so that the upper portion of hinge bracket is on pilaster at desired height.
- F. Secure top & bottom hinge pilaster bracket to pilaster with two through bolts.
- G. Install balance of hardware per this diagram.

Kit Code: PlamINZ		(P/N 8512003)	
PART ID.		DESCRIPTION	QTY
1		Hinge Pilaster Bracket	(2)
2		Door hinge insert	(2)
3		Hinge Pintle Nylon	(2)
4		Hinge Cam Nylon	(2)
5		Inswing Latch Slide Keeper	(1)
6		Hinge Pin	(2)
7		Bumper And Coathook	(1)
8		Vandal Resistant 1" Flat Head	(2)
9		Vandal Resistant Step Bolts 1" long	(2)
10		Vandal Resistant 5/8" Barrel Nut	(7)
11		Vandal Resistant S.M.S. 5/8"	(2)
12		Slide Latch Brushed Chrome	(1)
13		Vandal Resistant Step Bolts 1 1/4" long	(5)



Note:

If the door is an outswing or a door that is 32" or larger, refer to the Outswing Door Connection page.

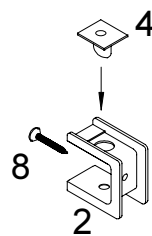


FIGURE A

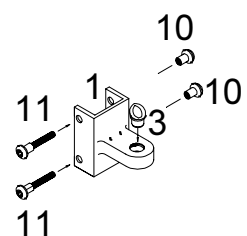


FIGURE B

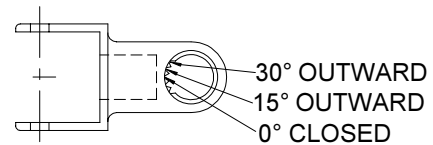
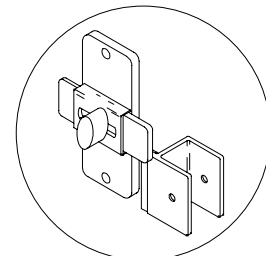
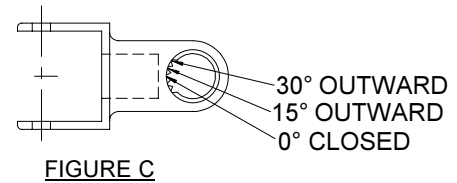
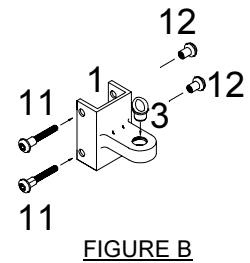
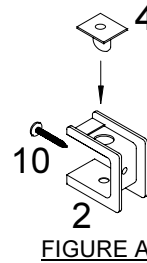
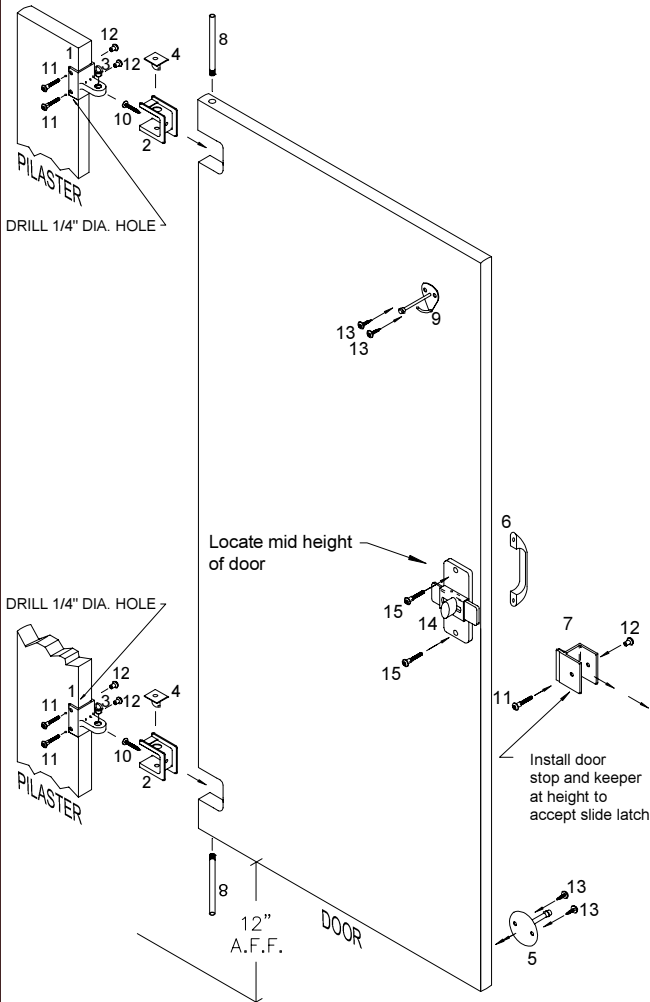


FIGURE C

Outswing and Large Door Connection

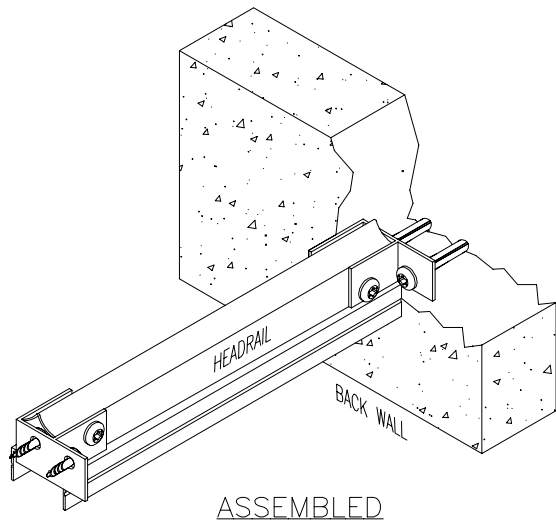
- A. Insert a top nylon cam into the upper and lower door hinge insert closure bracket, as illustrated so that cam base is flush with inner bracket surface. See figure A
- B. Insert each door hinge insert (with top cam in place) into the upper and lower openings in the door, anchoring with #10 x 1" screw. See figure A
- C. Insert bottom nylon cam into the pilaster portion of the hinge bracket assembly. See figure B. The cam should be set to same desired position on upper and lower hinge assemblies. See figure C.
- D. Connect top and bottom hinge pilaster bracket to door & hinge. Insert with hinge pin through the top and bottom of the door until the pin is flush with the door edge.
- E. With hinges in place, position door so that the upper portion of hinge bracket is on pilaster at desired height.
- F. Secure top & bottom hinge pilaster bracket to pilaster with two through bolts.
- G. Install balance of hardware per this diagram.

Kit Code: PlamOUTZ		(P/N 8512004)	
PART ID.		DESCRIPTION	QTY
1		Hinge Pilaster Bracket	(2)
2		Door hinge insert	(2)
3		Hinge Pintle Nylon	(2)
4		Hinge Cam Nylon	(2)
5		Bumper	(1)
6		Pull Handle	(1)
7		Outswing Latch Slide Keeper	(1)
8		Hinge Pin	(2)
9		Bumper And Coathook	(1)
10		Vandal Resistant 1" Flat Head	(2)
11		Vandal Resistant Step Bolts 1 1/4" long	(5)
12		Vandal Resistant 5/8" Barrel Nut	(7)
13		Vandal Resistant S.M.S. 5/8"	(4)
14		Slide Latch Brushed Chrome	(1)
15		Vandal Resistant Step Bolts 1 1/2" long	(2)








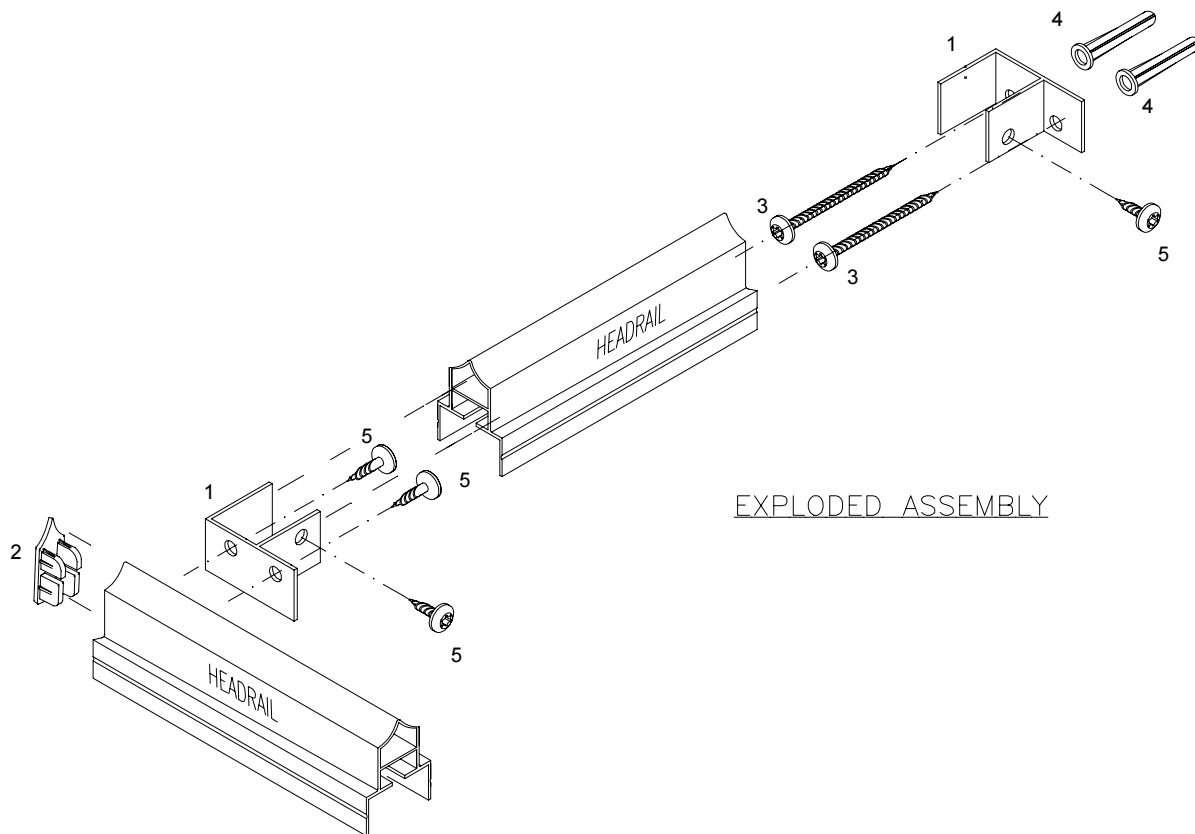
Install slide latch so that slide bar, when completely engaged, does not rest behind pilaster. It should also be high enough to allow "lift-up" emergency access.

Headrail Connection



Headrail Hardware Kit (P/N 8448100) Includes:

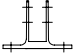



PART ID.	DESCRIPTION	QTY
1	 Headrail Satin "F" Zamac Bracket	(2)
2	 Headrail Cap Satin Zamac	(1)
3	 Vandal Resistant 2 1/2" S.M.S	(2)
4	 Plastic Shield 14/16 x 1-1/2"	(2)
5	 Vandal Resistant 5/8" S.M.S	(4)



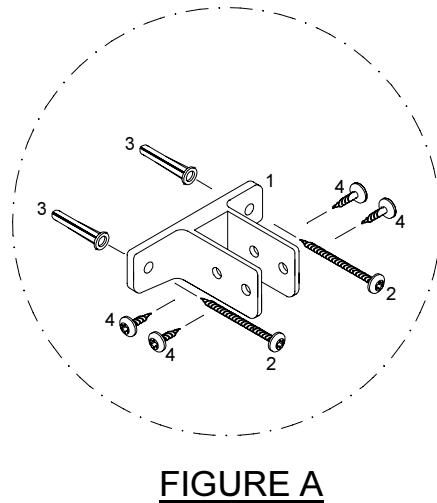
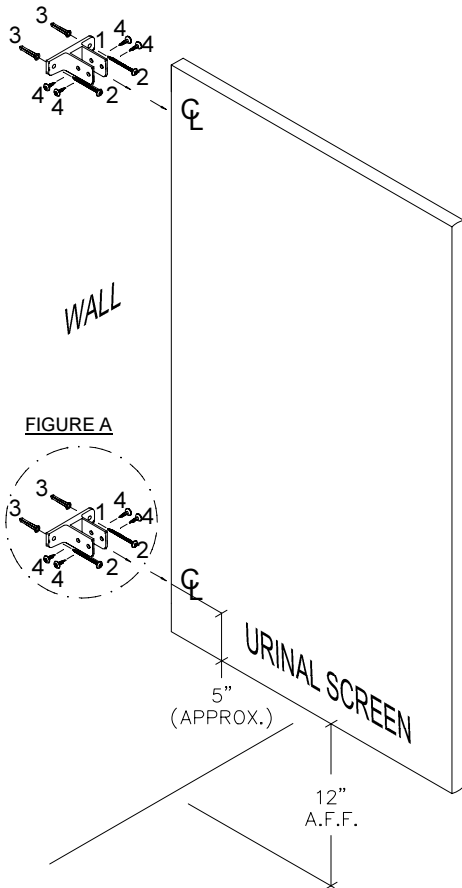
Urinal Screen Connection

Kit Code: **Plam5Z**

Urinal Screen Hardware Kit (P/N 40-8511281G) Includes:

PART ID.	DESCRIPTION	QTY
1	 Two Ear Wall U/S Bracket	(2)
2	 Vandal Resistant 2 1/2" S.M.S	(4)
3	 Plastic Shields	(4)
4	 Vandal Resistant 5/8" S.M.S	(8)

- A. Before proceeding, confirm that backing of wall is adequate to support and secure mounting of urinal screens. Check dwgs for layout.
- B. Insert anchoring devices in walls and secure wall brackets with 2 1/2" S.M.S.
- C. Place urinal screen on a support, 12" above the floor.
- D. Set U/S into wall brackets and fasten with recommended fasteners.



CARE AND MAINTENANCE OF TOILET PARTITIONS

In order to provide toilet partitions with the care and maintenance, the following instructions must be followed.

- A. All surfaces must be kept clean with water and a mild soap solution only.
- B. In high humidity areas, the rooms must be properly ventilated.
- C. "Hosing down" or wet washing of these units may cause water adsorption and damage.
- D. For maximum protection, periodic application of any standard furniture wax will be beneficial.
- E. In order to provide toilet partitions with the proper care and maintenance, the above instructions must be followed.

WARNING

Under no circumstances should these components be subjected to:

- *Abrasives powders or pads
- *Water closet cleaners
- *Ceramic tile cleaners
- *Solutions containing more than 1% by volume of ammonia
- *Solutions containing acids or lye
- *Solutions containing enzymes

Attention to work progress during new construction or renovation is important.

Other trades and cleaning services may use agents for ceramics and tiles that will damage these components

2 YEAR WARRANTY

These partitions made by Global Partitions are guaranteed to be fabricated in accordance with Global's approved specifications and drawings.

Global Partitions guarantees its plastic laminate partitions, properly maintained, against discoloration or delamination, for 2 years from the date of receipt by the customer.

This warranty shall not be applicable if vandalism or improper cleaning/maintenance of partitions has contributed as just cause for partition failure. See the full warranty on Global Partitions website or call for a copy.