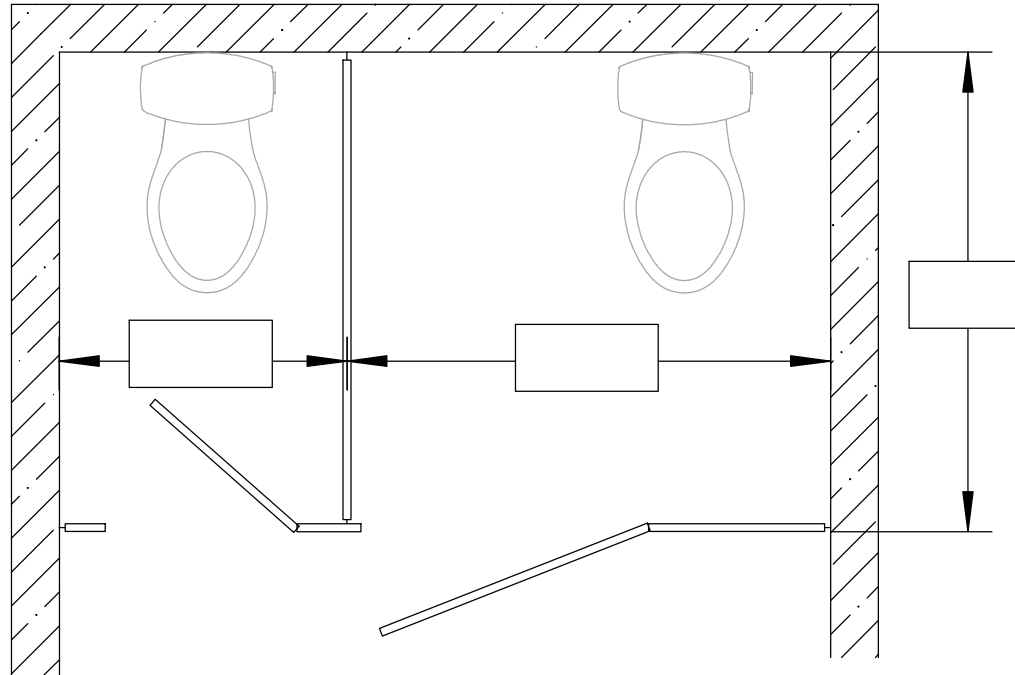


Not quite your layout? No Problem!  
Just make notes or contact us for  
free custom design assistance.



**Step 1 - Your contact info**

Name: \_\_\_\_\_  
Job Name: \_\_\_\_\_  
Ship to Zip Code: \_\_\_\_\_  
Phone: \_\_\_\_\_  
Fax: \_\_\_\_\_  
Email: \_\_\_\_\_

**Step 2 - Choose Material Type(s)**

- More than one can be selected
- Powder Coated Metal
  - Plastic Laminate
  - Solid Plastic
  - Phenolic
  - Stainless Steel

**Step 3 - Select Urinal Screens**

- Are urinal screens needed?  
Enter the quantity:
- 18" x 42" urinal screen
  - 24" x 42" urinal screen

**Step 4 - Send it to us**

Send this completed form to:  
sales@oppsales.com  
or  
Fax to (615) 261-1433  
or  
Take a picture of it with your  
smartphone and  
text to (615) 438-2796