

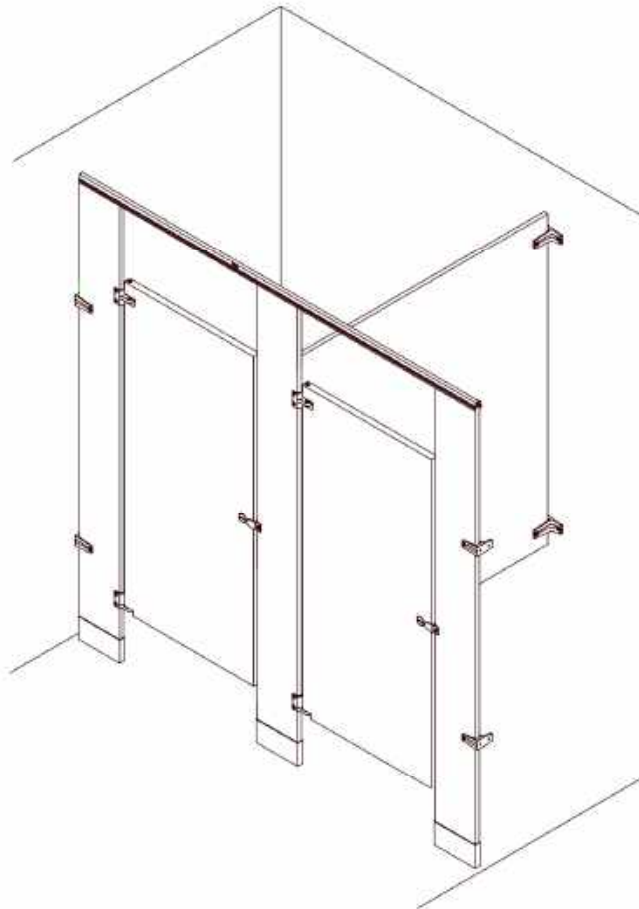


INSTALLATION INSTRUCTIONS FOR

PLASTIC LAMINATE

Floor Mounted Overhead Braced

Brought to you by One Point Partitions



STEP 1

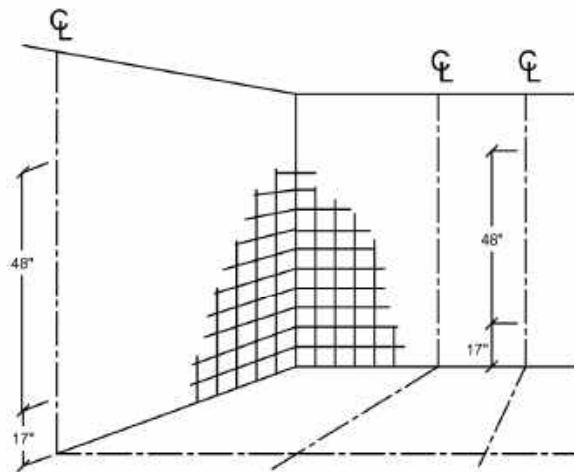
LAYOUT

FLOOR ANCHORED/OVERHEAD BRACED

NOTE:FLOOR MUST BE CONCRETE

- A. Review the layout drawings and package lists that have accompanied this job.
- B. Before proceeding,confirm that backing of walls and floor is adequate to support secure mounting of the toilet compartment units.
- C. Establish and mark pilaster center line from back wall.
- D. Establish and mark panel center lines for wall brackets.
- E. Establish pilaster floor fastener locations from side wall according to shop drawings. (Note: floor fasteners are located 3/4" from edge of pilaster).
- F. Mark wall bracket holes using brackets as templates.

FIGURE 1

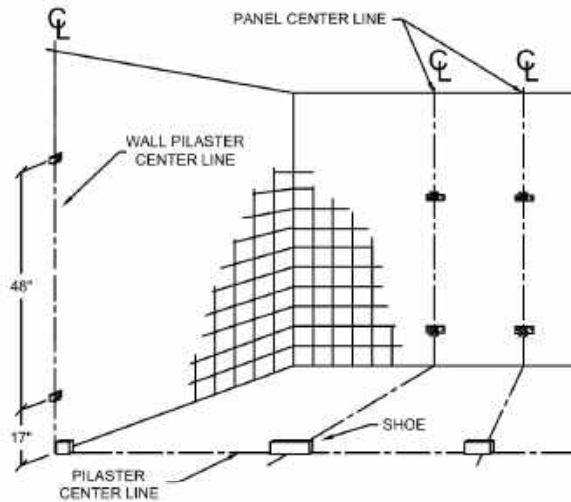


STEP 2

WALL BRACKETS AND FLOOR ANCHORS

- A. Drill holes for wall brackets and floor anchors of appropriate size for particular fastening devices supplied. Typically, 1/4" bit for walls, 1/4" bit for compartment thru-bolts, and 3/16" bit for floors. (Note: as site conditions and hardware combinations vary, an assortment of bit sizes is recommended).
- B. Insert anchoring devices in walls and secure wall brackets.
- C. Attach the shoes to the concrete floor using the 1/4" concrete screws. (Note: the hole in the side of the shoe should be placed on the inside of the compartment).
- D. Adjust the location of the shoes according to the door opening size, and secure shoes to the floor.

FIGURE 2

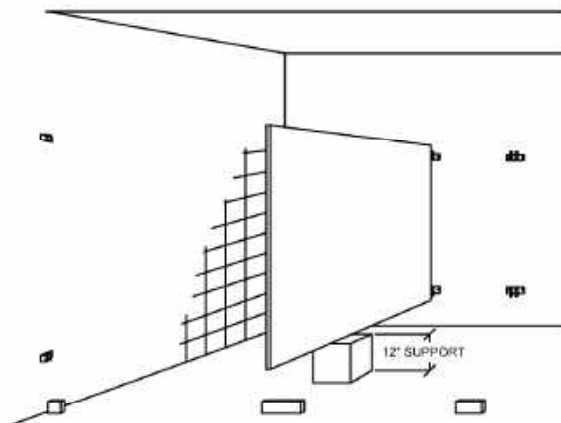


STEP 3

POSITION PANEL

- A. Place panel on a support, 12" above the floor.
- B. Set it into wall brackets, but do not fasten panel at this time.

FIGURE 3



STEP 4
PILASTER PREPARATION

- A. Align U-brackets in position on rear of pilasters. Refer to layout drawings and make sure brackets are in alignment with wall brackets.
- B. Fasten U-brackets to pilaster with sheet metal screws.
- C. Pilasters at wall will not have U-brackets, but should be prepared for wall and floor fastening as required by compartment layout.

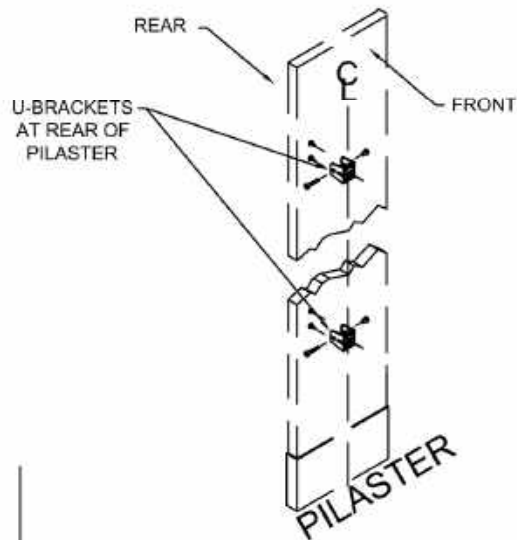
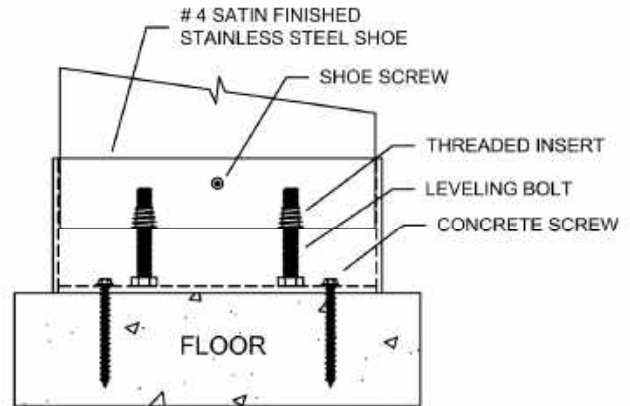


FIGURE 4

STEP 5
INSTALL PILASTERS

- A. Insert the leveling bolt into the threaded insert at the bottom of the pilaster.
- B. Insert the pilaster into the shoe.
- C. Level the top of all pilasters by adjusting the leveling bolt to desired position.

Note: To determine how far to insert the leveling bolt, find the highest point on the floor, and fully insert the bolt on the pilaster that will be mounted in that location. Adjust all other leveling bolts accordingly.



FLOOR MOUNTING DETAIL

FIGURE 5

STEP 6
SECURING PILASTERS/PANELS

- A. Level the panel and adjust the gaps at either end.
- B. Secure the panel to the wall and pilaster using through-bolts.
- C. Remove panel support device.
- D. Plumb each pilaster and secure with headrail (see page 10 for headrail detail).
- E. Secure the pilaster to the shoe using shoe screws.

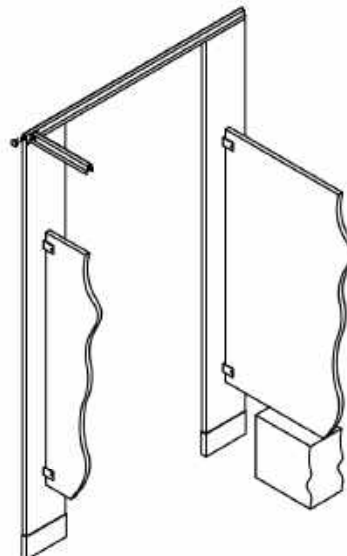


FIGURE 6

MATERIAL THICKNESS INDEX

TYPE	THICKNESS
PILASTER	1¼" THICK MATERIAL
DOOR	1" THICK MATERIAL
PANELS	1" THICK MATERIAL
SCREEN	1" THICK MATERIAL

**** Above is important due to hardware kits.**

**** Be sure to not use the 1 1/4" Pilaster Brackets on 1" Panels**

PILASTER / PANEL ALCOVE INSTALLATION

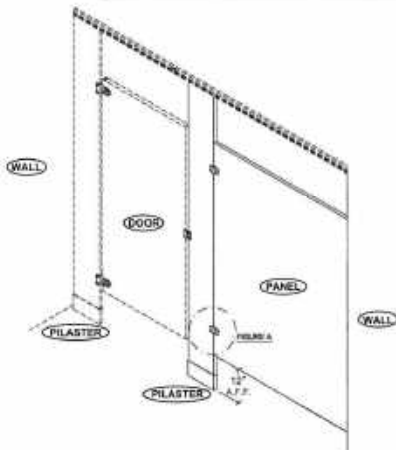
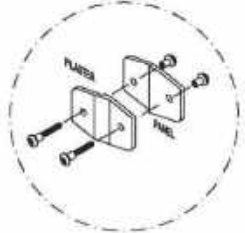
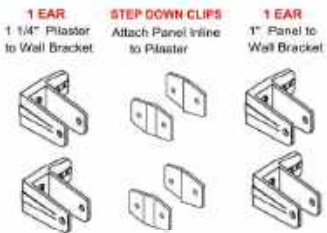


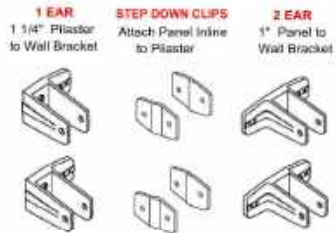
FIGURE "A"



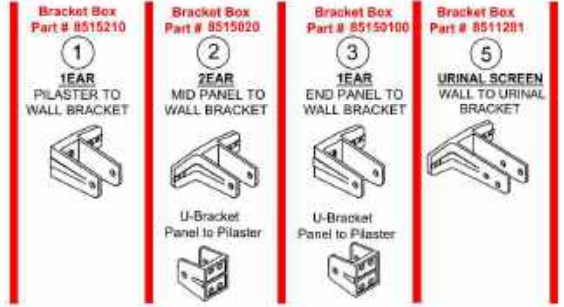
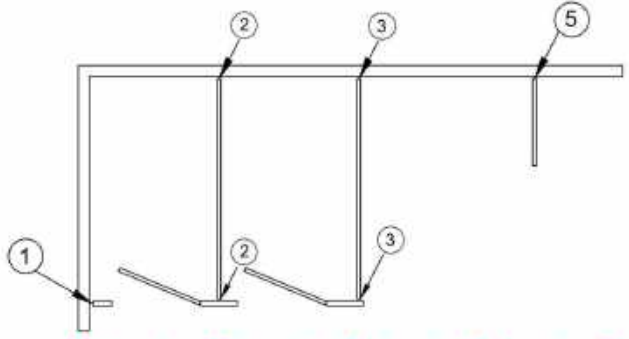
Alcove Bracket Kit # 8517310



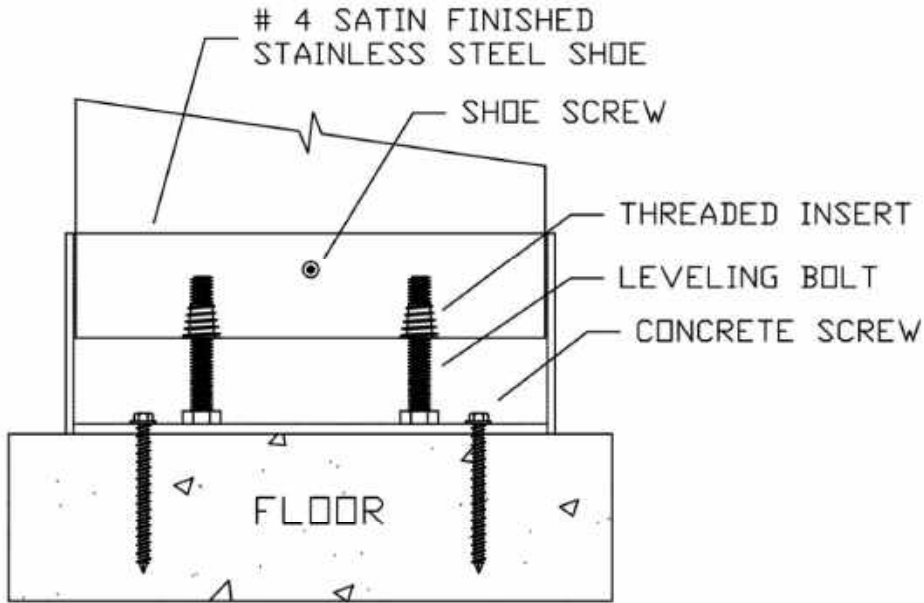
Alcove Bracket Kit # 8517320



BRACKET LOCATIONS



MATERIAL THICKNESS INDEX	
TYPE	THICKNESS
PILASTER	1 1/4" THICK MATERIAL
DOOR	1" THICK MATERIAL
PANELS	1" THICK MATERIAL
SCREEN	1" THICK MATERIAL









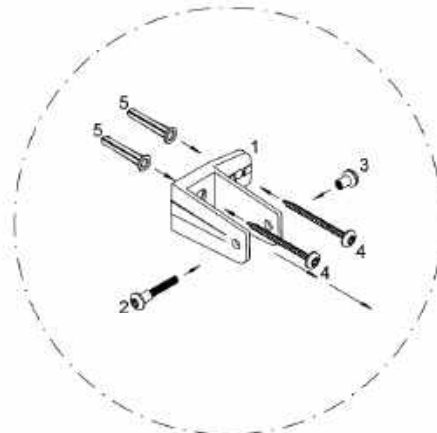
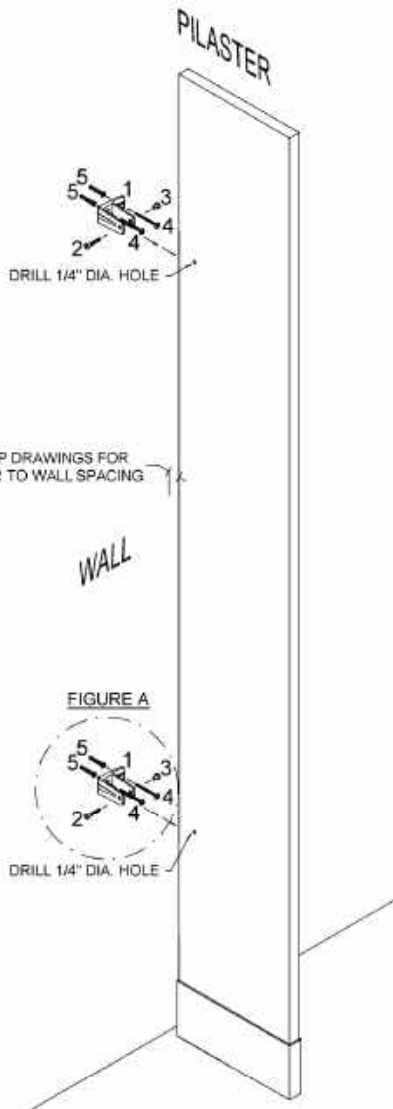
OBERHEAD BRACED MOUNTING DETAIL

Pilaster Connection Either to a wall or other partition material

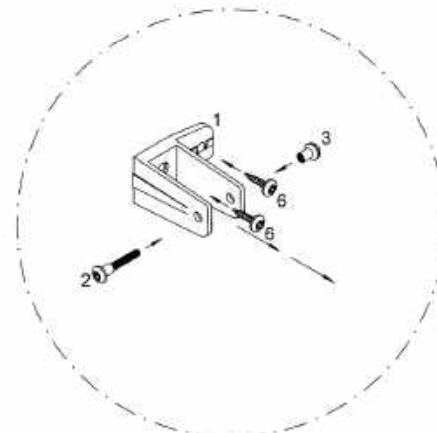
Pilasters must be both plumb and level. To assist in leveling, headrail may be lightly positioned across adjacent pilasters(do not fasten at this time)

- A. Fasten pilaster to wall bracket using through bolts or sheet metal screws.
- B. Establish door openings by adjusting pilaster mounting bar to desired position and tighten nuts. Refer to step 6.

Kit Code: Plam1Z		
Pilaster/Wall Hardware Kit (P/N 40-8515210) Includes:		
PART ID.	DESCRIPTION	QTY
1	 One Ear Wall Bracket	(2)
2	 Vandal Resistant Step Bolts 1 1/4" Long	(2)
3	 Vandal Resistant Barrel Nut	(2)
4	 Vandal Resistant 2 1/2" S.M.S	(4)
5	 Plastic Shields	(4)
6	 Vandal Resistant 5/8" S.M.S	(4)



Bracket to Wall Connection



Bracket to Other Partition Connection


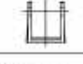





Replace Vandal Resistant 2 1/2" SMS
With Vandal resistant 5/8" SMS
To Fasten **Pilaster To Panel**.

Panel to Pilaster and Wall Two Ear Bracket Connection

Pilasters must be both plumb and level. To assist in leveling, headrail may be lightly positioned across adjacent pilasters (do not fasten at this time) Refer to steps 4 & 6.

A. Fasten panel to 2-ear bracket at wall with through bolts.

B. Plumb pilaster and fasten pilaster to panel using through bolts or sheet metal screws to "U" brackets.

Kit Code: Plam2Z		
Panel Hardware Kit (P/N 8515020) Includes:		
PART ID.	DESCRIPTION	QTY
1	 Two Ear Bracket	(2)
2	 "U" Bracket	(2)
3	 Vandal Resistant Step Bolts 1" Long	(4)
4	 Vandal Resistant Barrel Nut	(4)
5	 Vandal Resistant 2 1/2" S.M.S	(4)
6	 Plastic Shields	(4)
7	 Vandal Resistant 5/8" S.M.S	(4)

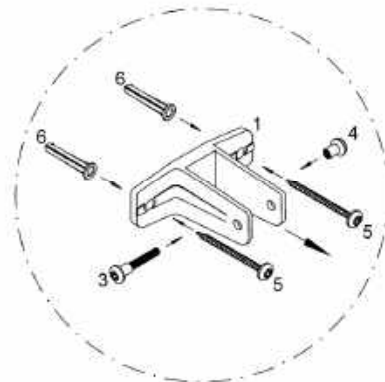
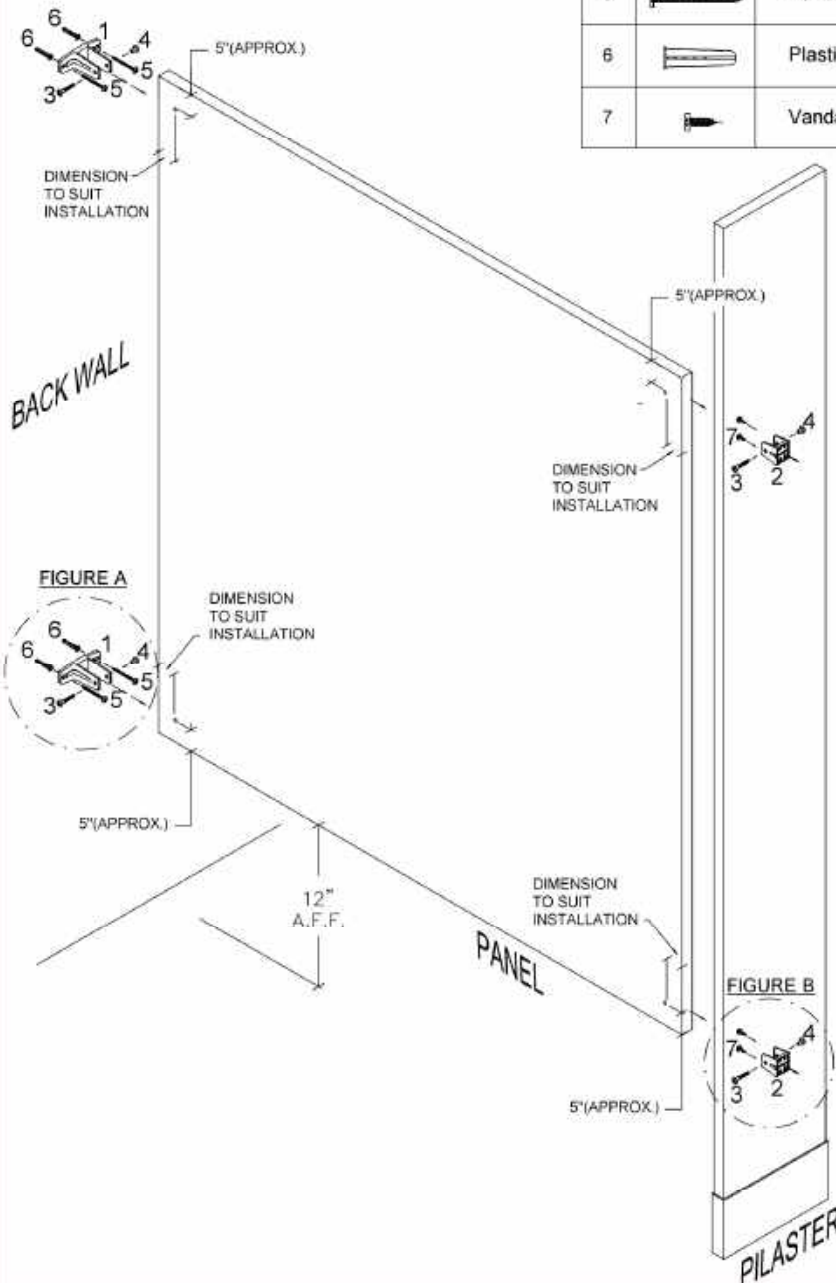
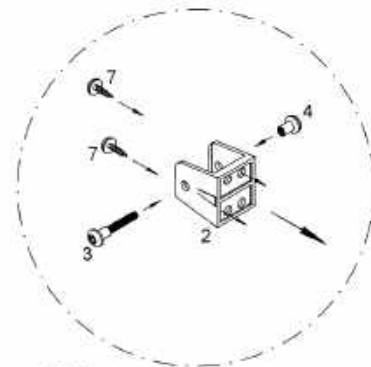


FIGURE A



NOTE:
Use Only Two Vandal resistant 5/8"
To Diagonally Fasten U-bracket To Pilaster.

FIGURE B

Panel to Pilaster and Wall One Ear Bracket Connection


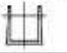





Pilasters must be both plumb and level. To assist in leveling, headrail may be lightly positioned across adjacent pilasters(do not fasten at this time)
Refer to steps 4 & 6.

A. Fasten panel to 1-ear bracket at wall with through bolts.

B. Plumb pilaster and fasten pilaster to panel using through bolts or sheet metal screws to "U" brackets.

Kit Code: Plam3Z

Panel Hardware Kit (P/N 8515010) Includes:

PART ID.	DESCRIPTION	QTY
1	 One Ear Bracket	(2)
2	 "U" Bracket	(2)
3	 Vandal Resistant Step Bolts 1" Long	(4)
4	 Vandal Resistant Barrel Nut	(4)
5	 Vandal Resistant 2 1/2" S.M.S	(4)
6	 Plastic Shields	(4)
7	 Vandal Resistant 5/8" S.M.S	(4)

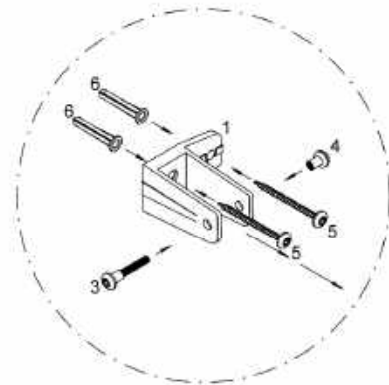
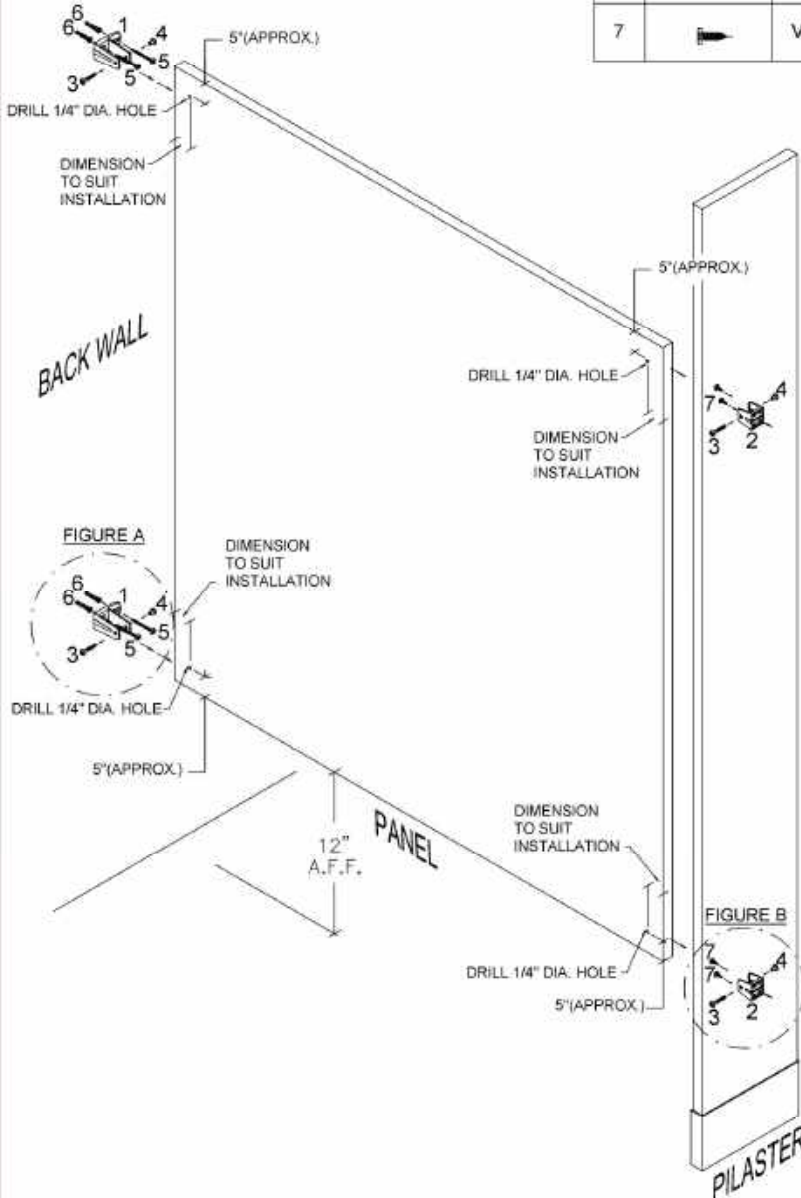
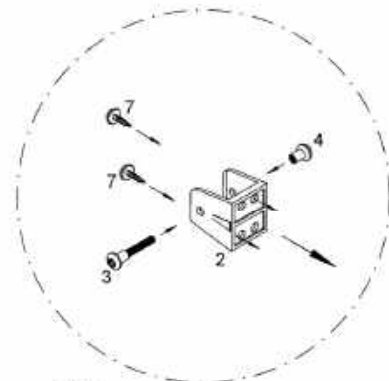


FIGURE A



NOTE:
Use Only Two Vandal resistant 5/8"
To Diagonally Fasten U-bracket To Pilaster.

FIGURE B









**Alcove Connection
With either 1 eared or
2 eared brackets**

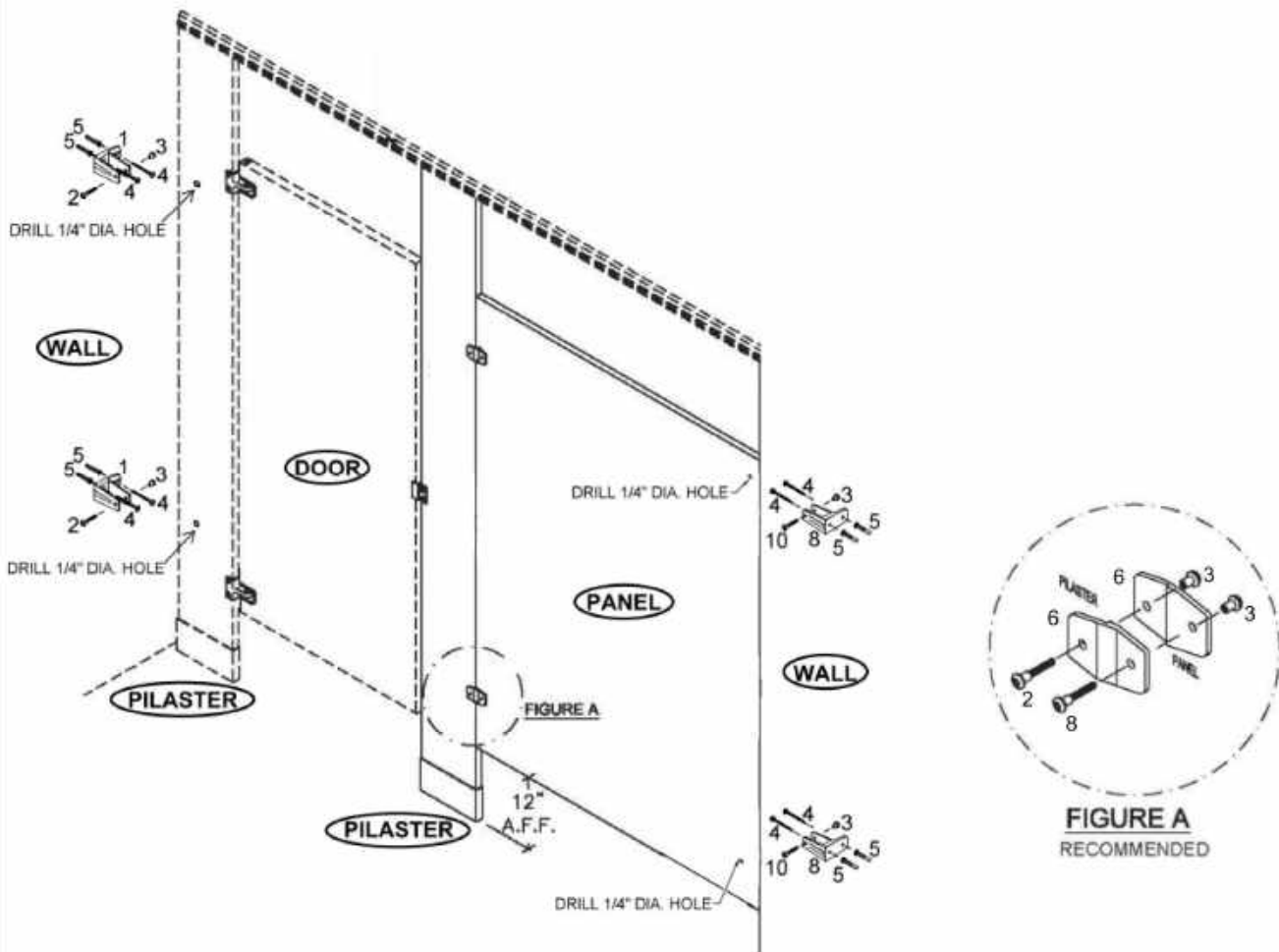
Note:

Replace #8517310 with #8517320 for two ear bracket kit.

Kit Code: Plam4Z

Alcove Hardware Kit (P/N 8517310) Includes:

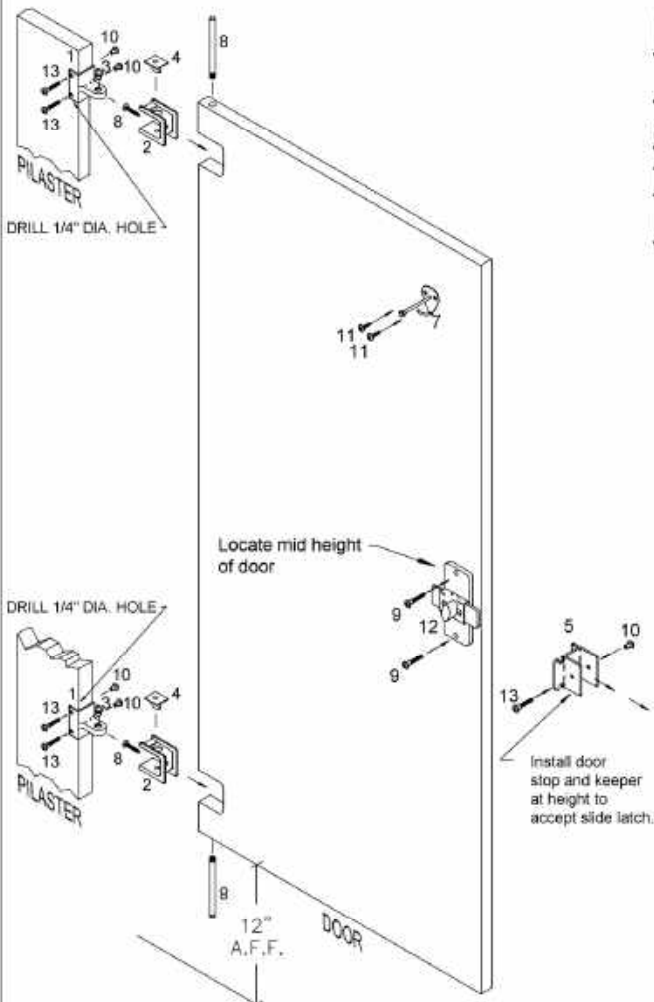
PART ID.		DESCRIPTION	QTY
1		1 1/4" One Ear Wall Bracket	(2)
2		Vandal Resistant Step Bolts 1 1/4" Long	(5)
3		Vandal Resistant Barrel Nut	(10)
4		Vandal Resistant 2 1/2" S.M.S	(8)
5		Plastic Shields	(8)
6		Alcove Step Down Clips	(4)
7		1" One Ear Wall Bracket	(2)
8		Vandal Resistant Step Bolts 1" Long	(5)



Inswing Standard Door Connection

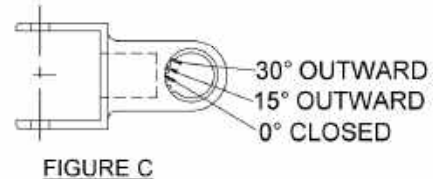
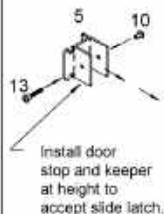
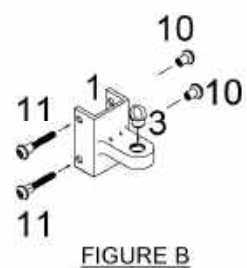
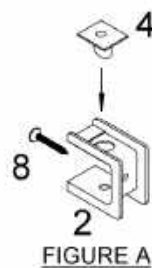
- A. Insert a top nylon cam into the upper and lower door hinge insert closure bracket, as illustrated so that cam base is flush with inner bracket surface. See figure A.
- B. Insert each door hinge insert (with top cam in place) into the upper and lower openings in the door, anchoring with #10 x 1" screw. See figure B.
- C. Insert bottom nylon cam into the pilaster portion of the hinge bracket assembly. See figure C. The cam should be set to same desired position on upper and lower hinge assemblies. See figure C.
- D. Connect top and bottom hinge pilaster bracket to door & hinge. Insert with hinge pin through the top and bottom of the door until the pin is flush with the door edge.
- E. With hinges in place, position door so that the upper portion of hinge bracket is on pilaster at desired height.
- F. Secure top & bottom hinge pilaster bracket to pilaster with two through bolts.
- G. Install balance of hardware per this diagram.

Kit Code: PlamINZ		(P/N 8512003)	
PART ID.		DESCRIPTION	QTY
1		Hinge Pilaster Bracket	(2)
2		Door hinge insert	(2)
3		Hinge Pintle Nylon	(2)
4		Hinge Cam Nylon	(2)
5		Inswing Latch Slide Keeper	(1)
6		Hinge Pin	(2)
7		Bumper And Coathook	(1)
8		Vandal Resistant 1" Flat Head	(2)
9		Vandal Resistant Step Bolts 1" long	(2)
10		Vandal Resistant 5/8" Barrel Nut	(7)
11		Vandal Resistant S.M.S. 5/8"	(2)
12		Slide Latch Brushed Chrome	(1)
13		Vandal Resistant Step Bolts 1 1/4" long	(5)



Note:

If the door is an outswing or a door that is 32" or larger, refer to the Outswing Door Connection page.

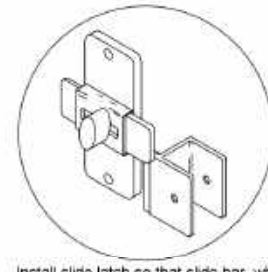
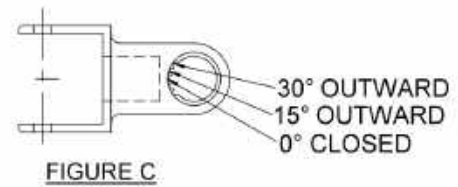
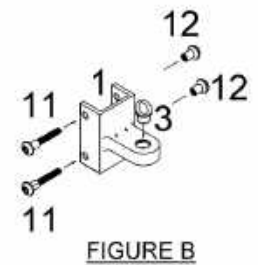
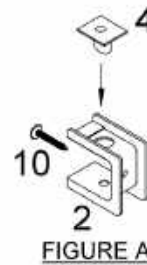
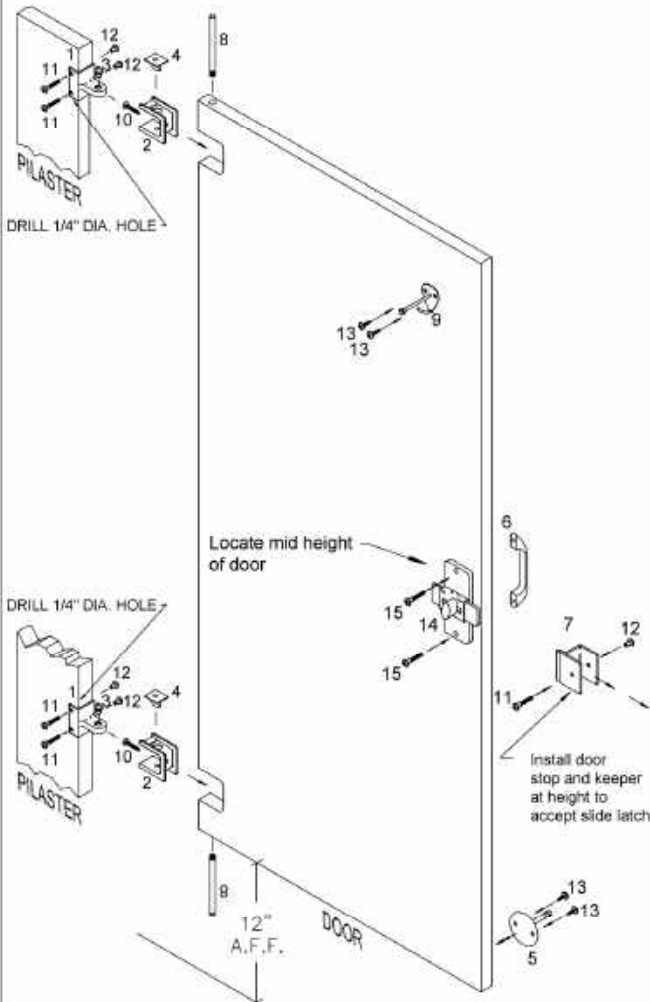


Outswing and Large Door Connection

- A. Insert a top nylon cam into the upper and lower door hinge insert closure bracket, as illustrated so that cam base is flush with inner bracket surface. See figure A.
- B. Insert each door hinge insert (with top cam in place) into the upper and lower openings in the door, anchoring with #10 x 1" screw. See figure A.
- C. Insert bottom nylon cam into the pilaster portion of the hinge bracket assembly. See figure B. The cam should be set to same desired position on upper and lower hinge assemblies. See figure C.
- D. Connect top and bottom hinge pilaster bracket to door & hinge. Insert with hinge pin through the top and bottom of the door until the pin is flush with the door edge.
- E. With hinges in place, position door so that the upper portion of hinge bracket is on pilaster at desired height.
- F. Secure top & bottom hinge pilaster bracket to pilaster with two through bolts.
- G. Install balance of hardware per this diagram.

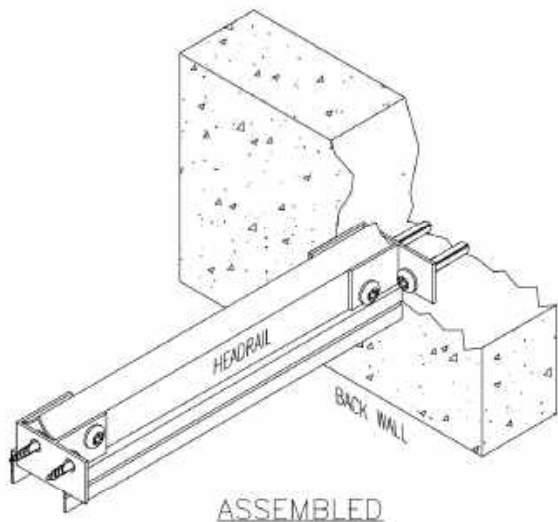
Kit Code: PlamOUTZ (P/N 8512004)

PART ID.	DESCRIPTION	QTY
1	Hinge Pilaster Bracket	(2)
2	Door hinge insert	(2)
3	Hinge Pintle Nylon	(2)
4	Hinge Cam Nylon	(2)
5	Bumper	(1)
6	Pull Handle	(1)
7	Outswing Latch Slide Keeper	(1)
8	Hinge Pin	(2)
9	Bumper And Coathook	(1)
10	Vandal Resistant 1" Flat Head	(2)
11	Vandal Resistant Step Bolts 1 1/4" long	(5)
12	Vandal Resistant 5/8" Barrel Nut	(7)
13	Vandal Resistant S.M.S. 5/8"	(4)
14	Slide Latch Brushed Chrome	(1)
15	Vandal Resistant Step Bolts 1 1/2" long	(2)



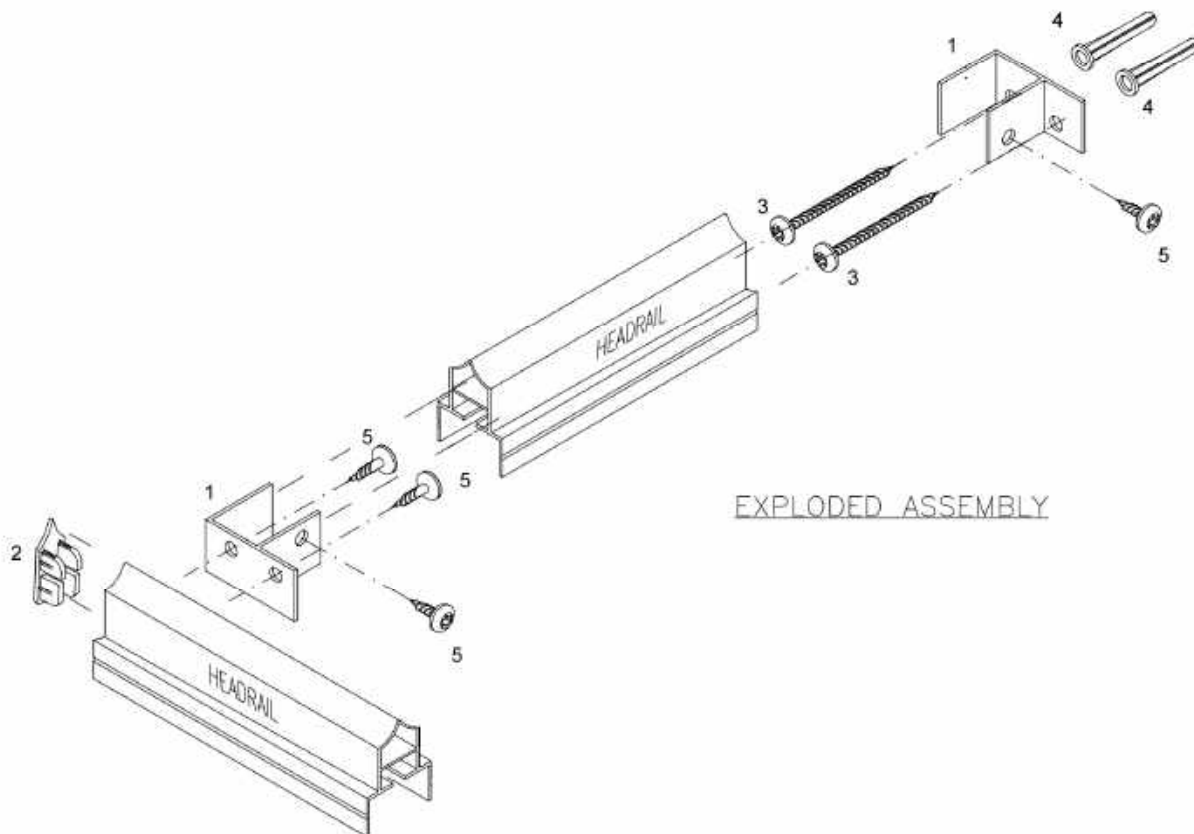
Install slide latch so that slide bar, when completely engaged, does not rest behind pilaster. It should also be high enough to allow "lift-up" emergency access.

Headrail Connection



Headrail Hardware Kit (P/N 8448100) Includes:

PART ID.	DESCRIPTION	QTY
1	 Headrail Satin "F" Zamac Bracket	(2)
2	 Headrail Cap Satin Zamac	(1)
3	 Vandal Resistant 2 1/2" S.M.S	(2)
4	 Plastic Shield 14/16 x 1-1/2"	(2)
5	 Vandal Resistant 5/8" S.M.S	(4)



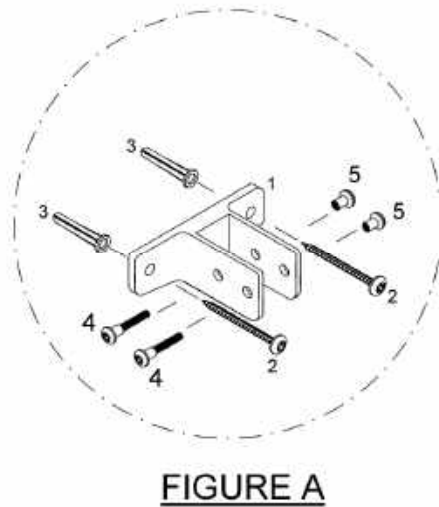
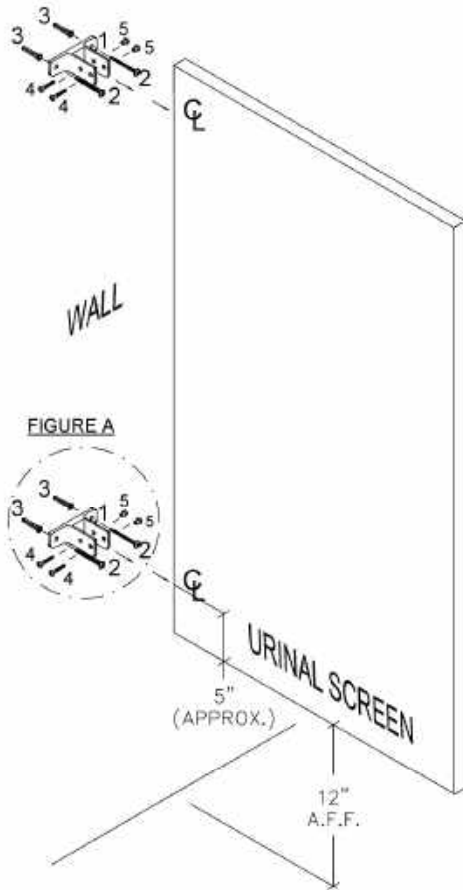
Urinal Screen Connection

- A. Before proceeding, confirm that backing of wall is adequate to support and secure mounting of urinal screens. Check dwgs for layout.
- B. Insert anchoring devices in walls and secure wall brackets with 2 1/2" S.M.S.
- C. Place urinal screen on a support, 12" above the floor.
- D. Set U/S into wall brackets and fasten with recommended fasteners.

Kit Code: Plam5Z

Urinal Screen Hardware Kit (P/N 40-8511281G) Includes:

PART ID.	DESCRIPTION	QTY
1	 Two Ear Wall U/S Bracket	(2)
2	 Vandal Resistant 2 1/2" S.M.S.	(4)
3	 Plastic Shields	(4)
4	 Vandal Resistant Step Bolts 1" Long	(4)
5	 Vandal Resistant 5/8" Barrel Nut	(4)



CARE AND MAINTENANCE OF TOILET PARTITIONS

In order to provide toilet partitions with the care and maintenance, the following instructions must be followed.

- A. All surfaces must be kept clean with water and a mild soap solution only.
- B. In high humidity areas, the rooms must be properly ventilated.
- C. "Hosing down" or wet washing of these units may cause water adsorption and damage.
- D. For maximum protection, periodic application of any standard furniture wax will be beneficial.
- E. In order to provide toilet partitions with the proper care and maintenance, the above instructions must be followed.

WARNING

Under no circumstances should these components be subjected to:

- *Abrasive powders or pads
- *Water closet cleaners
- *Ceramic tile cleaners
- *Solutions containing more than 1% by volume of ammonia
- *Solutions containing acids or lye
- *Solutions containing enzymes

Attention to work progress during new construction or renovation is important.

Other trades and cleaning services may use agents for ceramics and tiles that will damage these components

5 YEAR WARRANTY

These partitions made by Global Partitions are guaranteed to be fabricated in accordance with Global's approved specifications and drawings.

Global Partitions guarantees its plastic laminate partitions, properly maintained, against discoloration or delamination, for 5 years from the date of receipt by the customer.

This warranty shall not be applicable if vandalism or improper cleaning/maintenance of partitions has contributed as just cause for partition failure. See the full warranty on Global Partitions website or call for a copy.