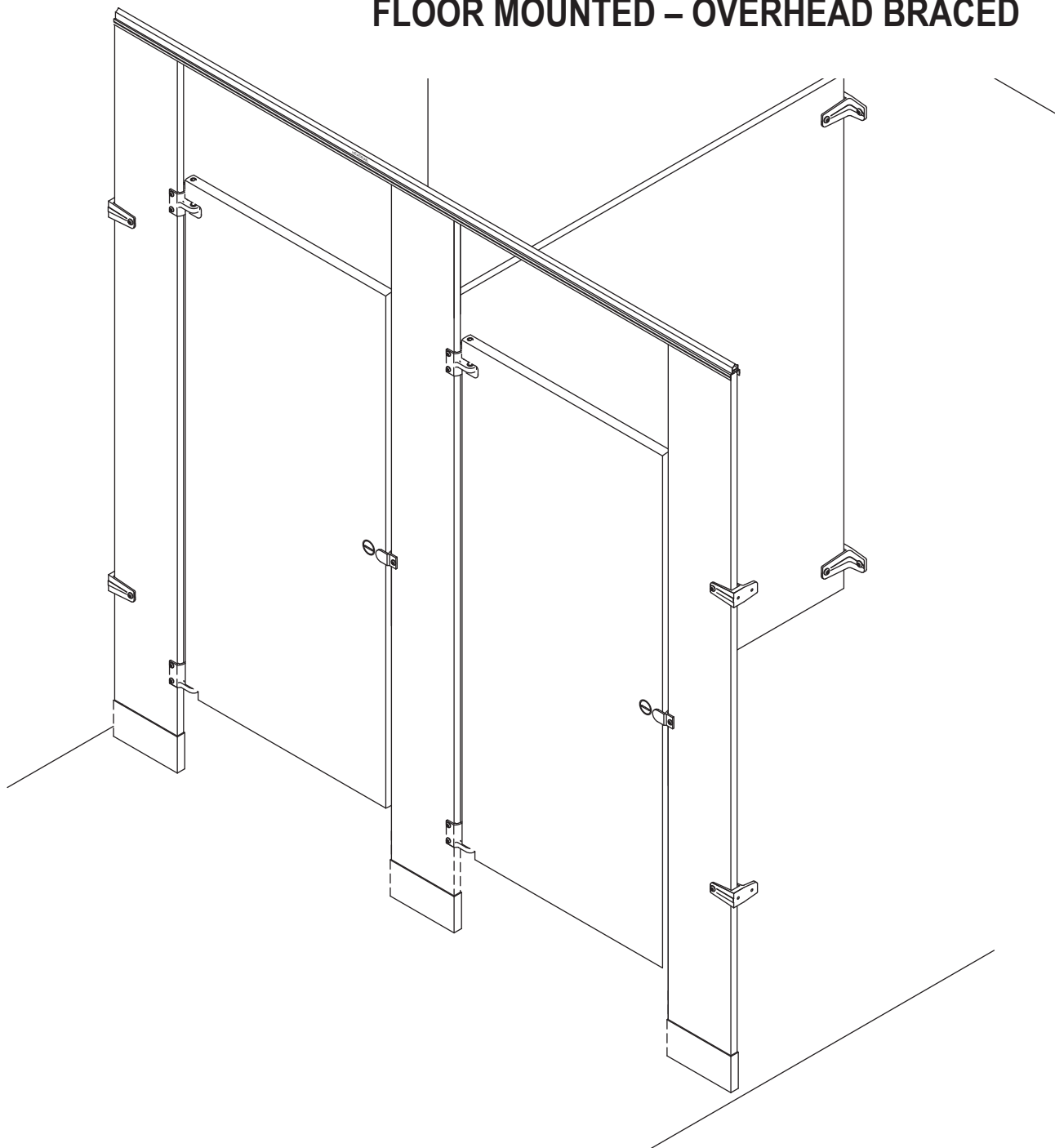


# ***ONE POINT*** **PARTITIONS**

---

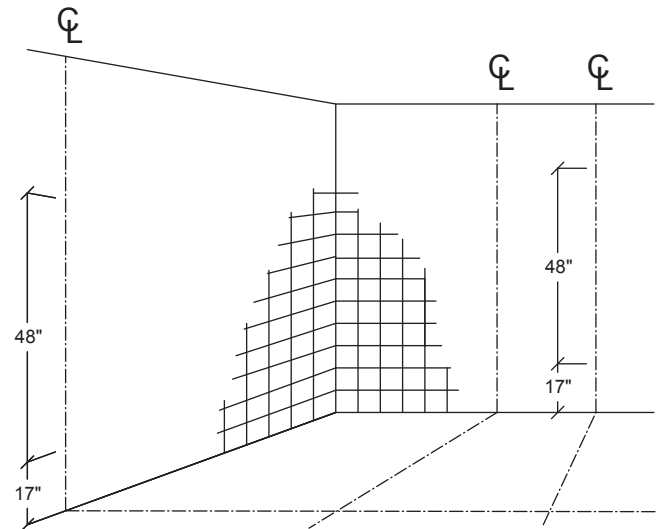
## INSTALLATION INSTRUCTIONS FOR ***PLASTIC LAMINATE*** FLOOR MOUNTED – OVERHEAD BRACED



## STEP 1 – Layout: Floor Anchored/Overhead Braced

**NOTE: FLOOR MUST BE CONCRETE**

- 1A. Review the layout drawings and package lists that have accompanied this job.
- 1B. Before proceeding, confirm that backing of walls and floor is adequate to support secure mounting of the toilet compartment units.
- 1C. Establish and mark pilaster center line from back wall.
- 1D. Establish and mark panel center lines for wall brackets.
- 1E. Establish pilaster floor fastener locations from side wall according to shop drawings.
- 1F. Mark wall bracket holes using brackets as templates.



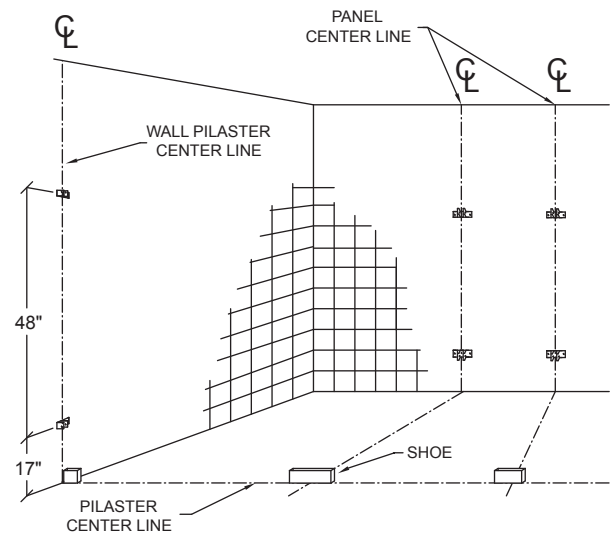
**FIGURE 1**

## STEP 2 – Wall Brackets and Floor Anchors

- 2A. Drill holes for wall brackets and floor anchors of appropriate size for particular fastening devices supplied. Typically, 1/4" bit for walls, 1/4" bit for compartment through-bolts, and 3/16" bit for floors.

**NOTE: As site conditions and hardware combinations vary, an assortment of bit sizes is recommended.**

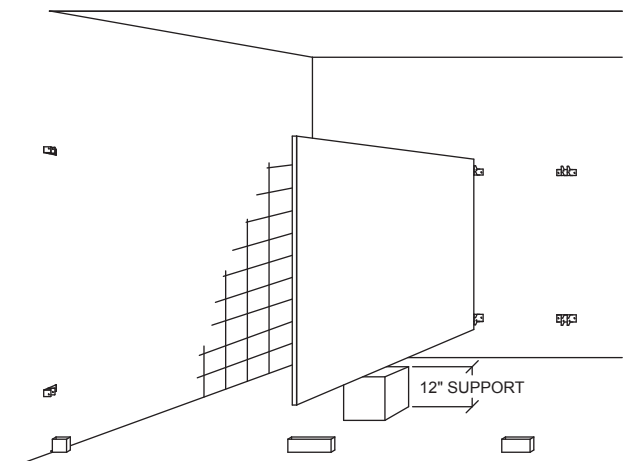
- 2B. Insert anchoring devices in walls and secure wall brackets.
  - 2C. Attach the shoes to the concrete floor using the 1/4" concrete screws.
- NOTE: The hole in the side of the shoe should be placed on the inside of the compartment.**
- 2D. Adjust the location of the shoes according to the door opening size, and secure shoes to the floor.



**FIGURE 2**

## STEP 3 – Position Panel

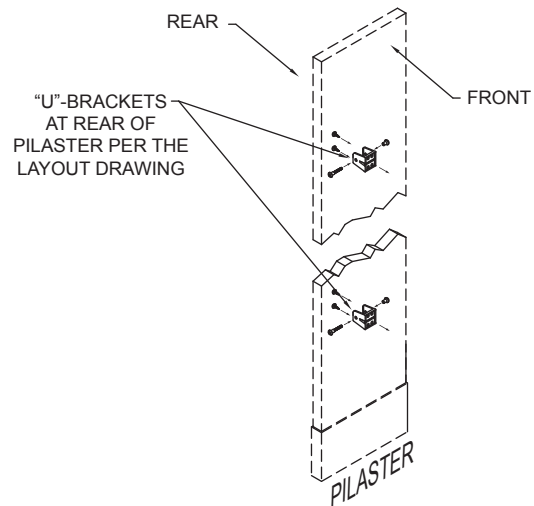
- 3A. Place panel on a support, 12" above the floor.
- 3B. Set it into wall brackets, but do not fasten panel at this time.



**FIGURE 3**

## STEP 4 – Pilaster Preparation

- 4A. Align “U”-brackets in position on rear of pilasters. Refer to layout drawings and make sure brackets are in alignment with wall brackets.
- 4B. Fasten “U”-brackets to pilaster with sheet metal screws.
- 4C. Pilasters at wall will not have “U”-brackets, but should be prepared for wall and floor fastening as required by compartment layout.

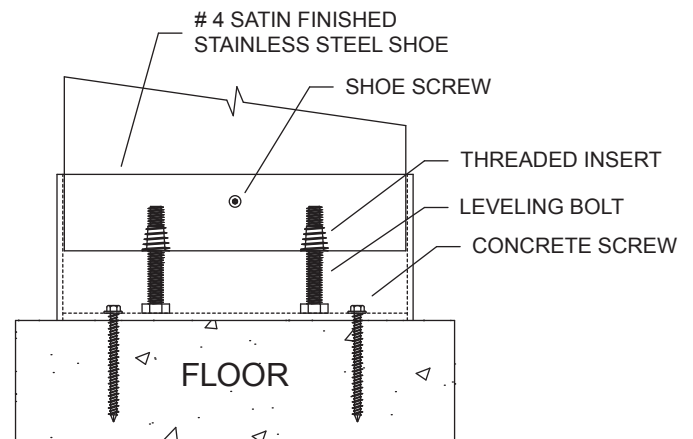


**FIGURE 4**

## STEP 5 – Install Pilasters

- 5A. Insert the leveling bolt into the threaded insert at the bottom of the pilaster.
- 5B. Insert the pilaster into the shoe.
- 5C. Level the top of all pilasters by adjusting the leveling bolt to desired position.

**NOTE:** To determine how far to insert the leveling bolt, find the highest point on the floor, and fully insert the bolt on the pilaster that will be mounted in that location. Adjust all other leveling bolts accordingly.

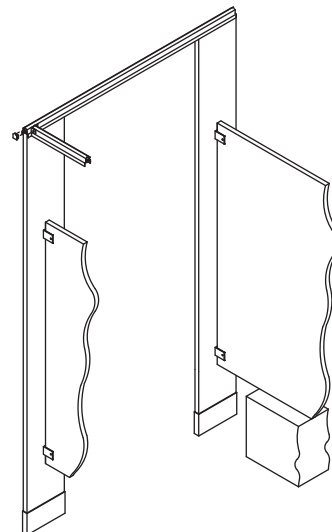


**FLOOR MOUNTING DETAIL**

**FIGURE 5**

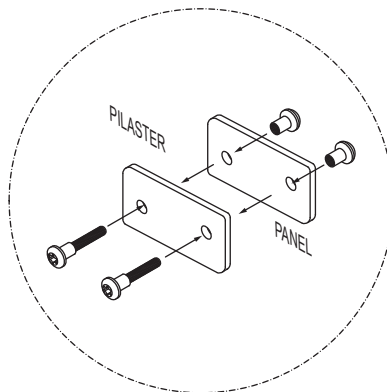
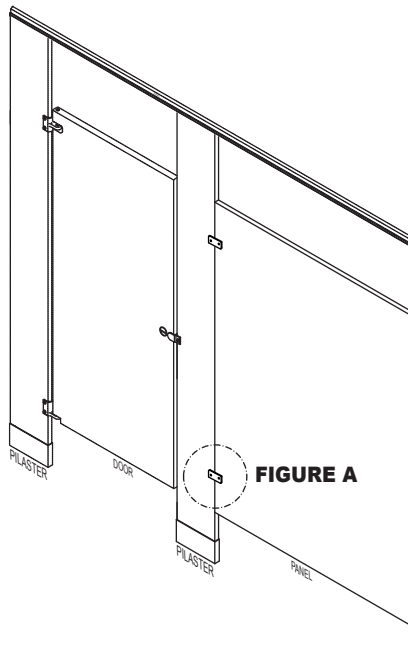
## STEP 6 – Securing Pilasters/Panels

- 6A. Level the panel and adjust the gaps at either end.
- 6B. Secure the panel to the wall and pilaster using through-bolts.
- 6C. Remove panel support device.
- 6D. Plumb each pilaster and secure with headrail.  
(See **Headrail Connection** for detail.)
- 6E. Secure the pilaster to the shoe using shoe screws.



**FIGURE 6**

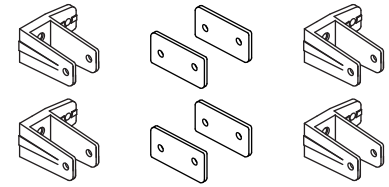
# Pilaster/Panel Alcove Installation



**FIGURE A**

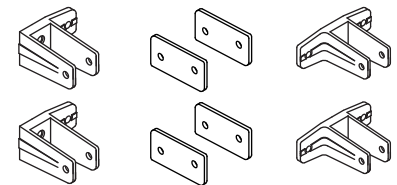
## Alcove Bracket Kit# 8517312

- 1-EAR**  
1" Pilaster  
to Wall Bracket
- ALCOVE FLAT CLIPS**  
Attach Panel  
Inline to Pilaster
- 1-EAR**  
1" Panel to  
Wall Bracket

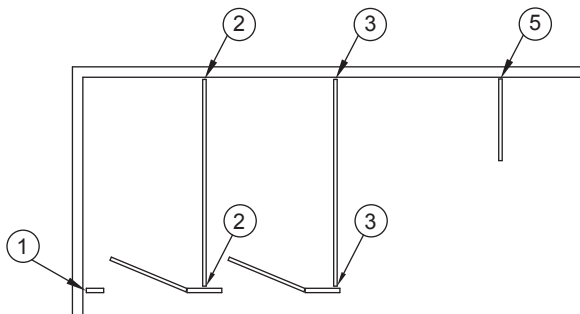


## Alcove Bracket Kit# 8517322

- 1-EAR**  
1" Pilaster  
to Wall Bracket
- ALCOVE FLAT CLIPS**  
Attach Panel  
Inline to Pilaster
- 2-EAR**  
1" Panel to  
Wall Bracket

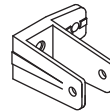


# Bracket Locations



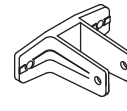
### Bracket Box Part# 8515311

- ①  
**1-EAR**  
PILASTER TO  
WALL BRACKET



### Bracket Box Part# 8515020

- ②  
**2-EAR**  
MID PANEL TO  
WALL BRACKET

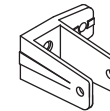


"U"-Bracket  
Panel to Pilaster



### Bracket Box Part# 8515010

- ③  
**1-EAR**  
END PANEL TO  
WALL BRACKET

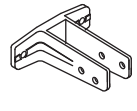


"U"-Bracket  
Panel to Pilaster



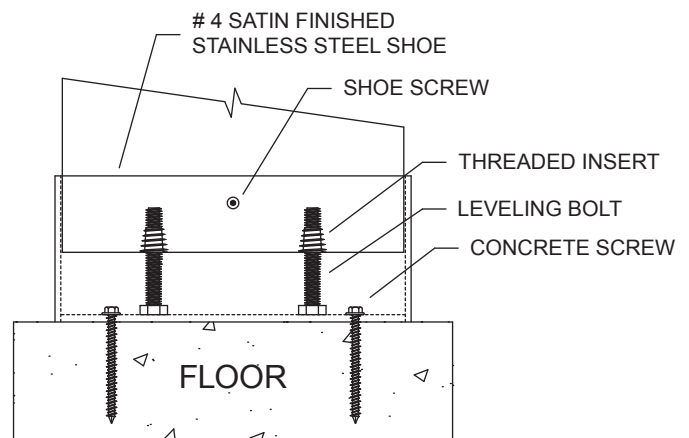
### Bracket Box Part# 8511281

- ⑤  
**URINAL SCREEN**  
WALL TO URINAL  
BRACKET



Material Thickness Index	
TYPE	THICKNESS
PILASTER	1" THICK MATERIAL
DOOR	1" THICK MATERIAL
PANELS	1" THICK MATERIAL
SCREEN	1" THICK MATERIAL

■ The Material Thickness Index is important due to hardware kits.

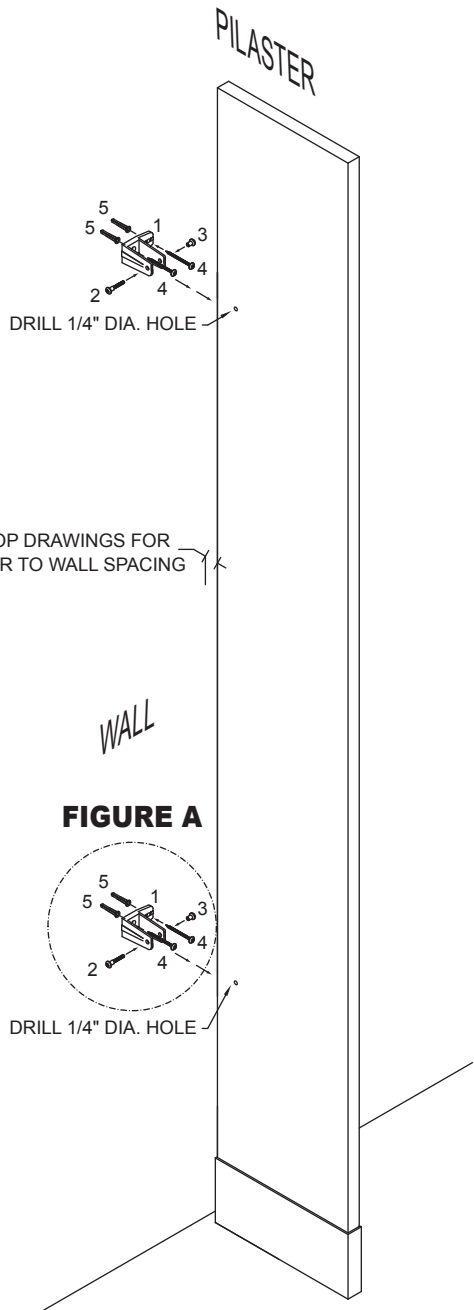



**OVERHEAD BRACED MOUNTING DETAIL**

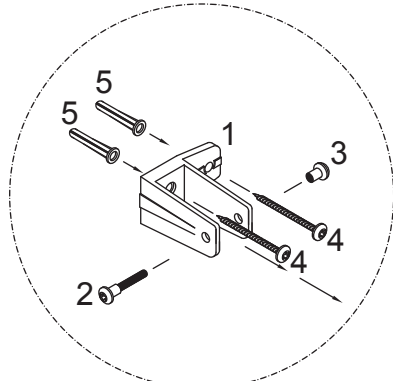
# Pilaster Connection Either to a Wall or Other Partition Material

Pilasters must be both plumb and level. To assist in leveling, headrail may be lightly positioned across adjacent pilasters (do not fasten at this time).

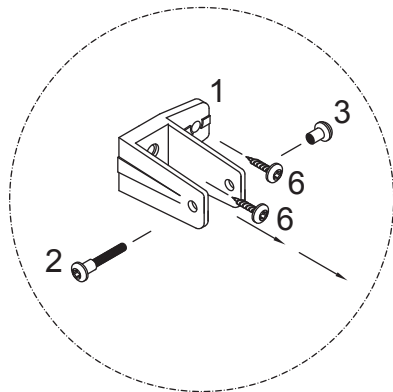
- A. Fasten pilaster to wall bracket using through-bolts or sheet metal screws.
- B. Establish door openings by adjusting pilaster mounting bar to desired position and tighten nuts. Refer to **STEP 6**.



<b>Pilaster/Wall Hardware Kit</b>		
<b>Kit# 40-8515311</b>		
<b>INCLUDES: PART ID.</b>	<b>DESCRIPTION</b>	<b>QTY</b>
1	 One-Ear Pilaster to Wall Bracket	(2)
2	Vandal Resistant Step Bolts 1" Long	(2)
3	 Vandal Resistant Barrel Nut	(2)
4	Vandal Resistant 2-1/2" S.M.S.	(4)
5	 Plastic Shield	(4)
6	Vandal Resistant 5/8" S.M.S.	(4)



**FIGURE A**  
BRACKET TO WALL CONNECTION










**FIGURE A**  
BRACKET TO OTHER PARTITION CONNECTION

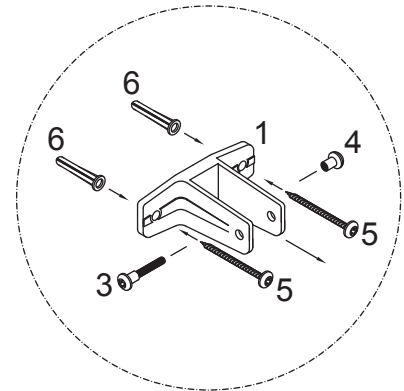
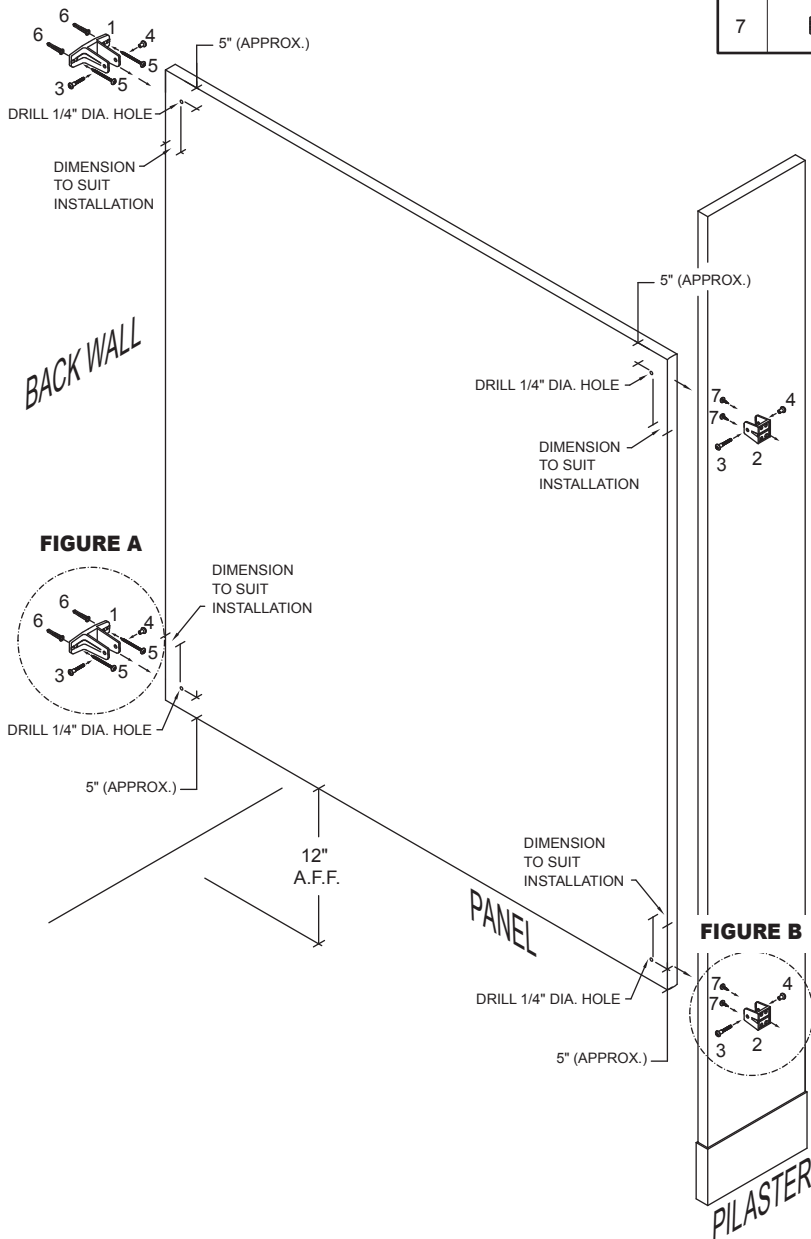
**NOTE:** Replace Vandal Resistant 2-1/2" S.M.S. with Vandal Resistant 5/8" S.M.S. to Fasten Pilaster to Panel.

# Panel to Pilaster and Wall Two-Ear Bracket Connection

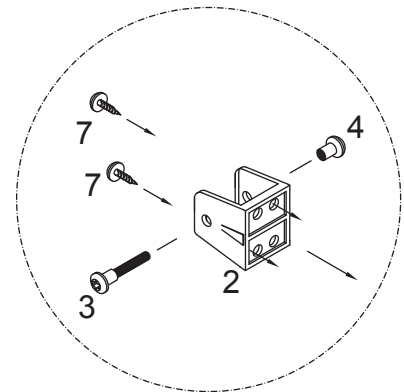
Pilasters must be both plumb and level. To assist in leveling, headrail may be lightly positioned across adjacent pilasters (do not fasten at this time). Refer to **STEPS 4 & 6**.

- A. Fasten panel to 2-ear bracket at wall with through-bolts.
- B. Plumb pilaster and fasten pilaster to panel using through-bolts or sheet metal screws to "U"-brackets.

Panel Hardware Kit			
Kit# 8515020			
INCLUDES:		DESCRIPTION	QTY
1		Two-Ear Bracket	(2)
2		"U"-Bracket	(2)
3		Vandal Resistant Step Bolts 1" Long	(4)
4		Vandal Resistant Barrel Nut	(4)
5		Vandal Resistant 2-1/2" S.M.S.	(4)
6		Plastic Shield	(4)
7		Vandal Resistant 5/8" S.M.S.	(4)



**FIGURE A**










**FIGURE B**

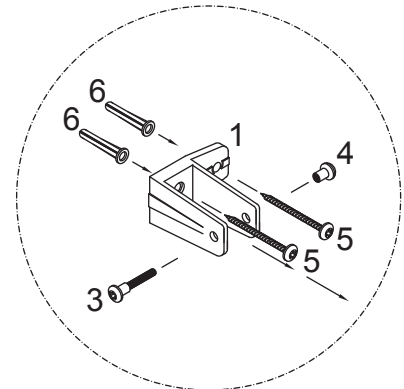
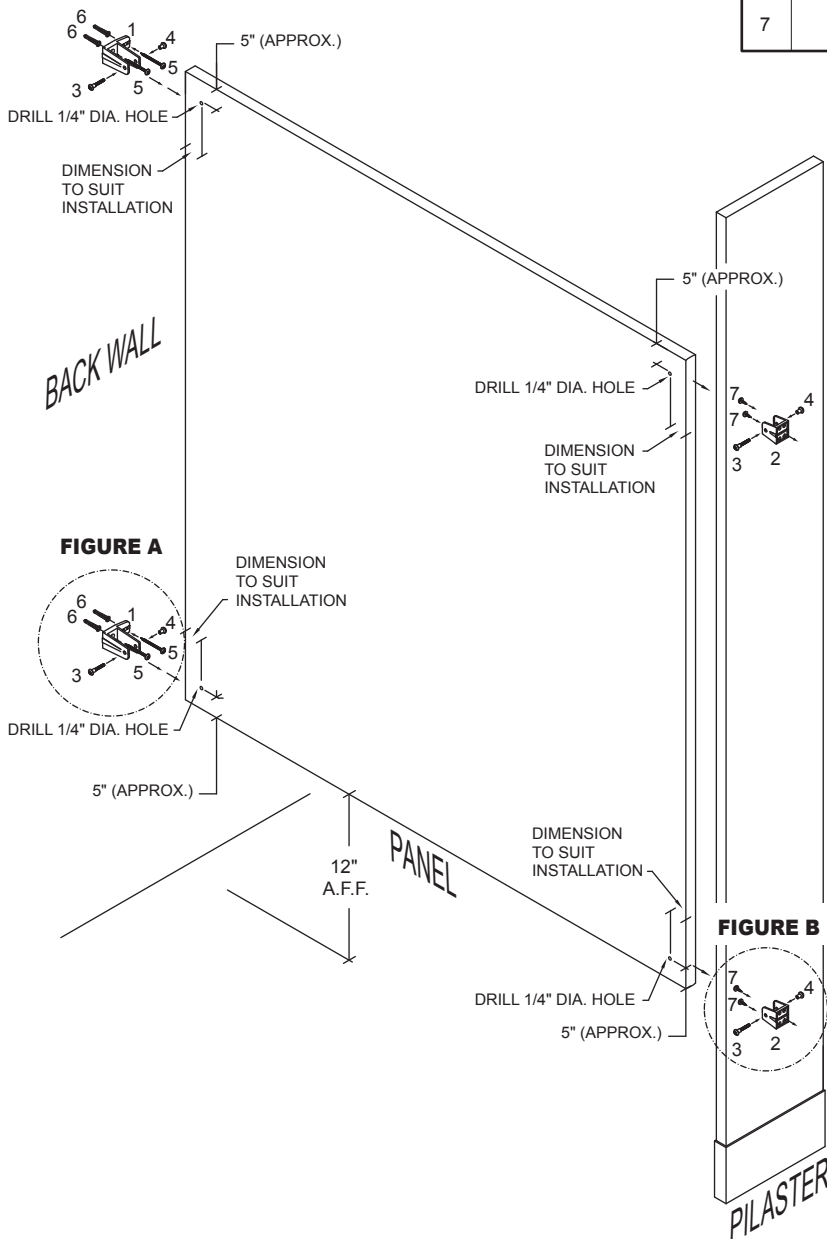
**NOTE:** Use Only Two Vandal Resistant 5/8" S.M.S. to Diagonally Fasten "U"-bracket to Pilaster.

# Panel to Pilaster and Wall One-Ear Bracket Connection

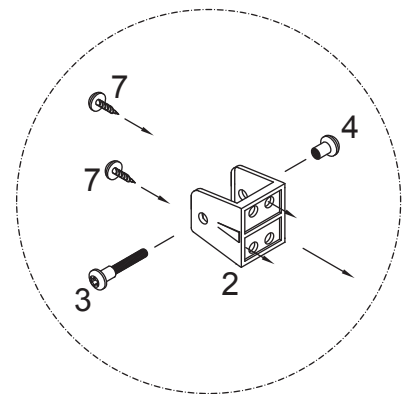
Pilasters must be both plumb and level. To assist in leveling, headrail may be lightly positioned across adjacent pilasters (do not fasten at this time). Refer to **STEPS 4 & 6**.

- A. Fasten panel to 1-ear bracket at wall with through-bolts.
- B. Plumb pilaster and fasten pilaster to panel using through-bolts or sheet metal screws to "U"-brackets.

Panel Hardware Kit			
Kit# 8515010			
INCLUDES: PART ID.		DESCRIPTION	QTY
1		One-Ear Bracket	(2)
2		"U"-Bracket	(2)
3		Vandal Resistant Step Bolts 1" Long	(4)
4		Vandal Resistant Barrel Nut	(4)
5		Vandal Resistant 2-1/2" S.M.S.	(4)
6		Plastic Shield	(4)
7		Vandal Resistant 5/8" S.M.S.	(4)



**FIGURE A**






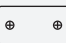



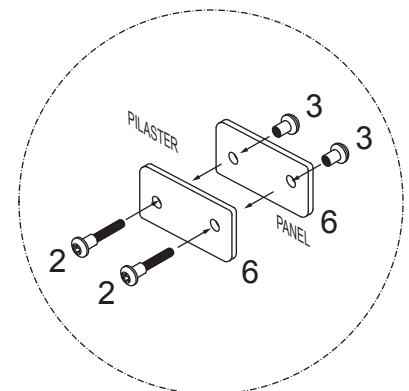
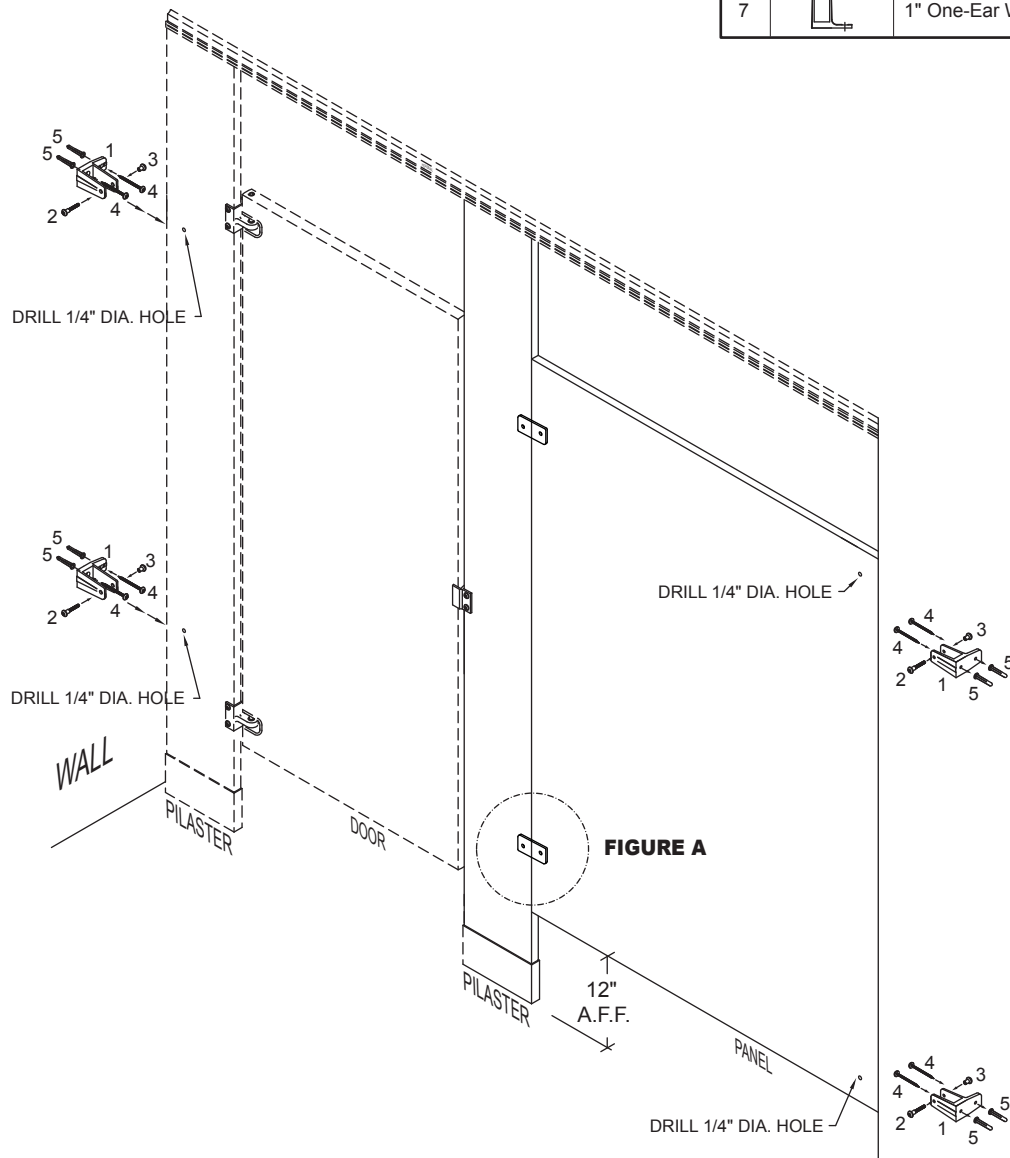
**FIGURE B**

**NOTE:** Use Only Two Vandal Resistant 5/8" to Diagonally Fasten "U"-bracket to Pilaster.

# Alcove Connection with Either One-Eared or Two-Eared Brackets

**NOTE:** Replace #8517312 with #8517322 for two-ear bracket kit.

<b>Alcove Hardware Kit</b>			
<b>Kit# 8517312</b>			
INCLUDES:		DESCRIPTION	QTY
1		1" One-Ear Wall Bracket	(2)
2		Vandal Resistant Step Bolts 1" Long	(10)
3		Vandal Resistant Barrel Nut	(10)
4		Vandal Resistant 2-1/2" S.M.S.	(8)
5		Plastic Shield	(8)
6		Alcove Flat Clips	(4)
7		1" One-Ear Wall Bracket	(2)

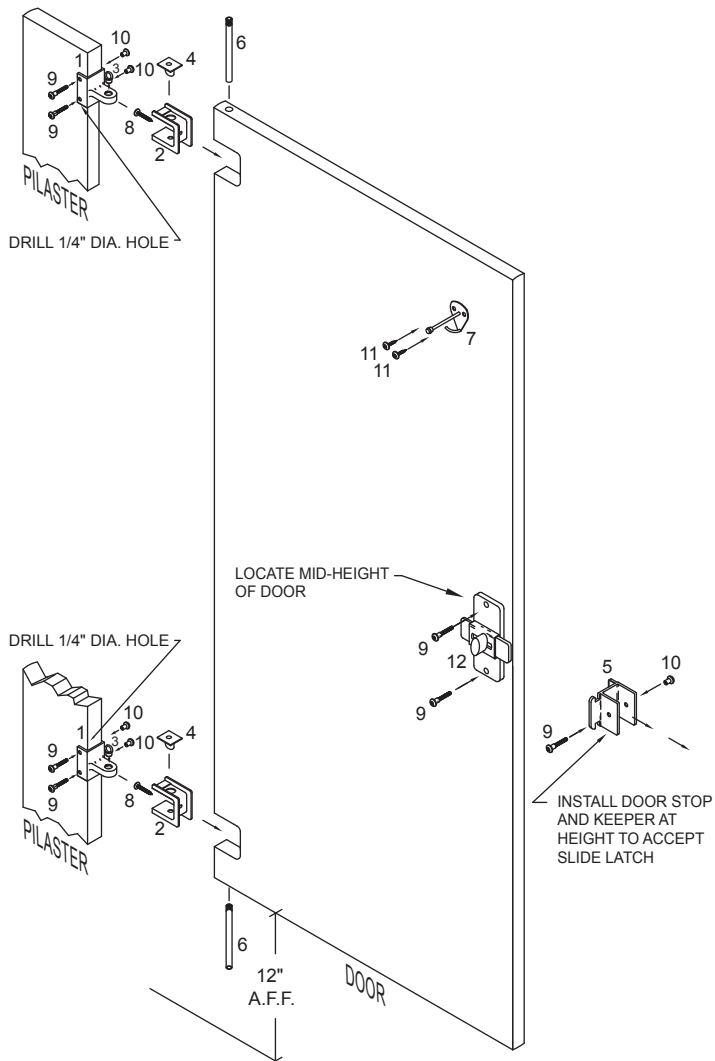


**FIGURE A**



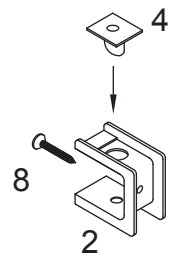
# Inswing Standard Door Connection

- A. Insert a top nylon cam into the upper and lower door hinge insert closure bracket, as illustrated so that cam base is flush with inner bracket surface. See **FIGURE A**.
- B. Insert each door hinge insert (with top cam in place) into the upper and lower openings in the door, anchoring with #10 x 1" screw. See **FIGURE A**.
- C. Insert bottom nylon cam into the pilaster portion of the hinge bracket assembly. See **FIGURE B**. The cam should be set to same desired position on upper and lower hinge assemblies. See **FIGURE C**.
- D. Connect top and bottom hinge pilaster bracket to door & hinge. Insert with hinge pin through the top and bottom of the door until the pin is flush with the door edge.
- E. With hinges in place, position door so that the upper portion of hinge bracket is on pilaster at desired height.
- F. Secure top & bottom hinge pilaster bracket to pilaster with two through-bolts.
- G. Install balance of hardware per this diagram.

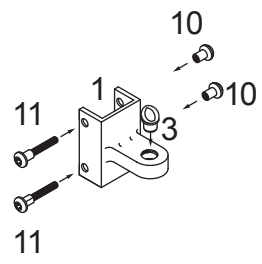


Inswing Door Hardware Kit			
Kit# 8512003			
INCLUDES:		DESCRIPTION	QTY
PART ID.			
1		Hinge Pilaster Bracket	(2)
2		Door Hinge Insert	(2)
3		Hinge Pintle Nylon	(2)
4		Hinge Cam Nylon	(2)
5		Inswing Latch Slide Keeper	(1)
6		Hinge Pin	(2)
7		Bumper and Coat Hook	(1)
8		Vandal Resistant 1" Flat Head	(2)
9		Vandal Resistant Step Bolts 1" Long	(7)
10		Vandal Resistant 5/8" Barrel Nut	(7)
11		Vandal Resistant S.M.S. 5/8"	(2)
12		Slide Latch Brushed Chrome	(1)

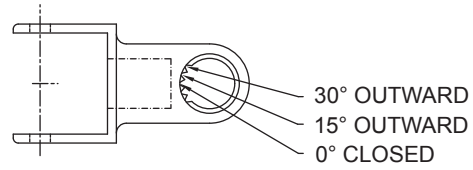
**NOTE:** If the door is an outswing or a door that is 32" or larger, refer to the **Outswing Door Connection** page.



**FIGURE A**



**FIGURE B**



**FIGURE C**

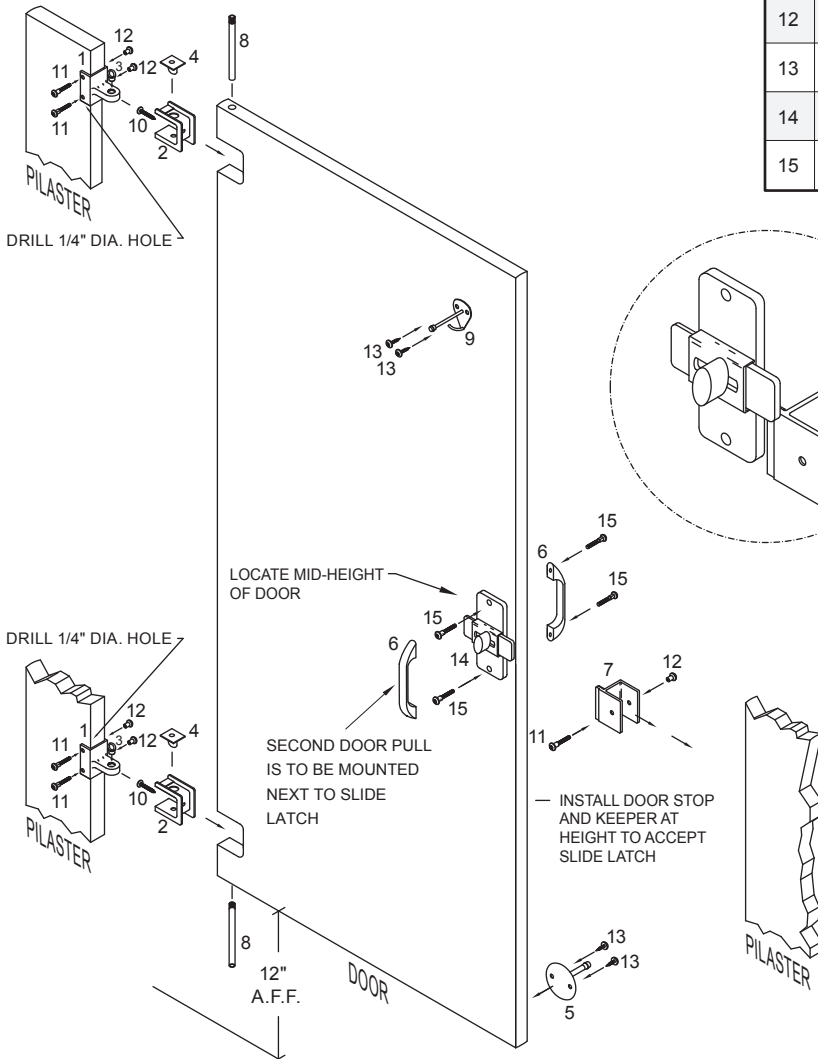
## Outswing and Large Door Connection

- A. Insert a top nylon cam into the upper and lower door hinge insert closure bracket, as illustrated so that cam base is flush with inner bracket surface. See **FIGURE A**.
- B. Insert each door hinge insert (with top cam in place) into the upper and lower openings in the door, anchoring with #10 x 1" screw. See **FIGURE A**.
- C. Insert bottom nylon cam into the pilaster portion of the hinge bracket assembly. See **FIGURE B**. The cam should be set to same desired position on upper and lower hinge assemblies. See **FIGURE C**.
- D. Connect top and bottom hinge pilaster bracket to door & hinge. Insert with hinge pin through the top and bottom of the door until the pin is flush with the door edge.
- E. With hinges in place, position door so that the upper portion of hinge bracket is on pilaster at desired height.
- F. Secure top & bottom hinge pilaster bracket to pilaster with two through-bolts.
- G. Install balance of hardware per this diagram.

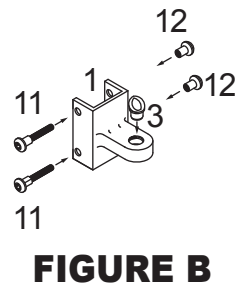
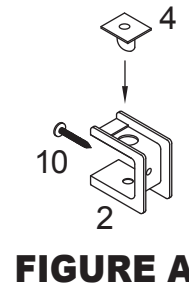
## Outswing Door Hardware Kit

Kit# **8512004**

INCLUDES:		DESCRIPTION	QTY
PART ID.			
1		Hinge Pilaster Bracket	(2)
2		Door Hinge Insert	(2)
3		Hinge Pintle Nylon	(2)
4		Hinge Cam Nylon	(2)
5		Bumper	(1)
6		Pull Handle	(2)
7		Outswing Latch Slide Keeper	(1)
8		Hinge Pin	(2)
9		Bumper and Coat Hook	(1)
10		Vandal Resistant 1" Flat Head	(2)
11		Vandal Resistant Step Bolts 1" Long	(5)
12		Vandal Resistant 5/8" Barrel Nut	(7)
13		Vandal Resistant S.M.S. 5/8"	(4)
14		Slide Latch Brushed Chrome	(1)
15		Vandal Resistant Step Bolts 1-1/2" Long	(4)

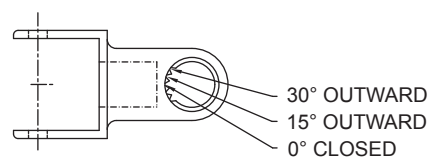


INSTALL SIDE LATCH SO THAT SLIDE BAR, WHEN COMPLETELY ENGAGED, DOES NOT REST BEHIND PILASTER. IT SHOULD ALSO BE HIGH ENOUGH TO ALLOW "LIFT-UP" EMERGENCY ACCESS.



**FIGURE A**

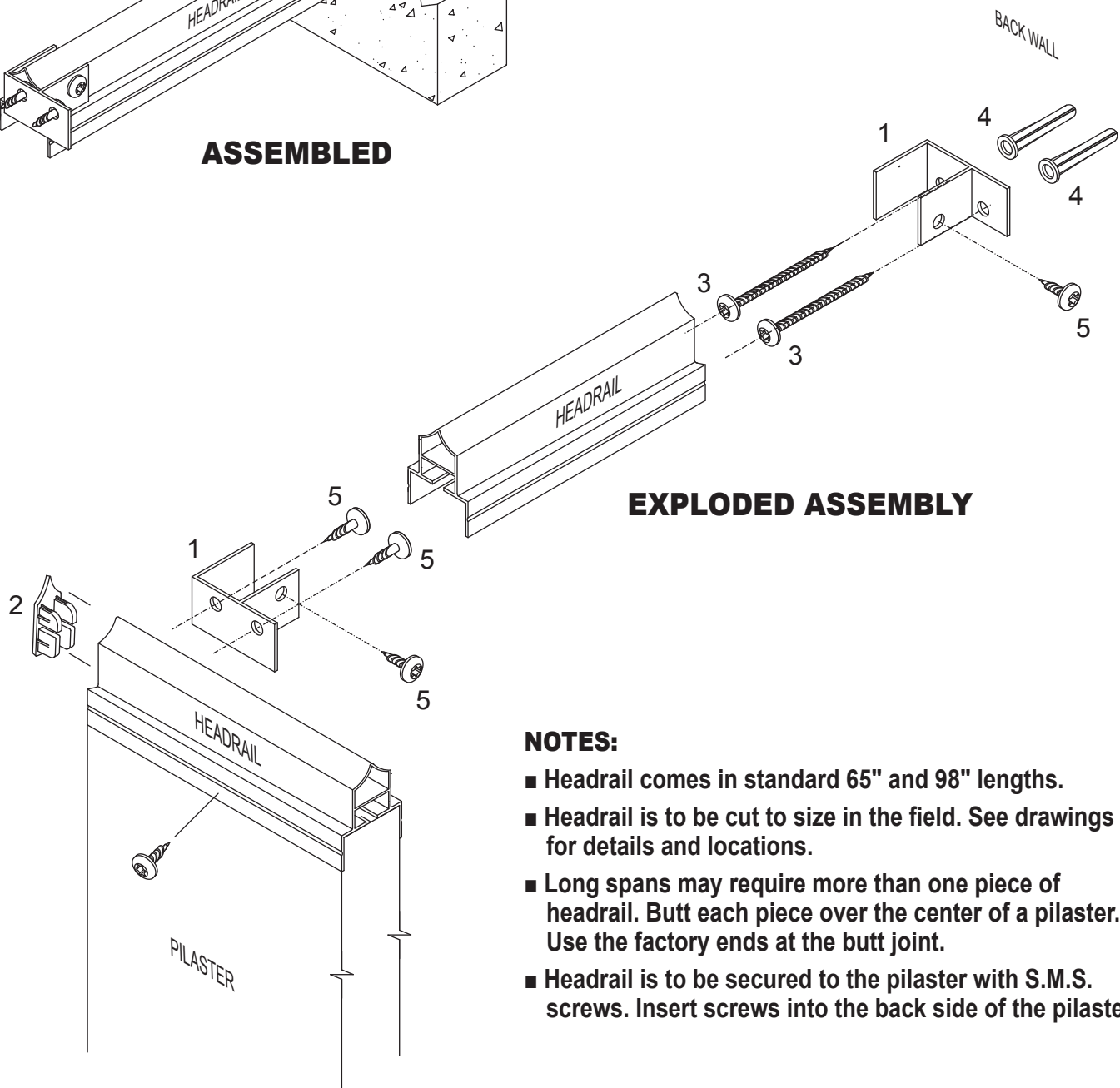
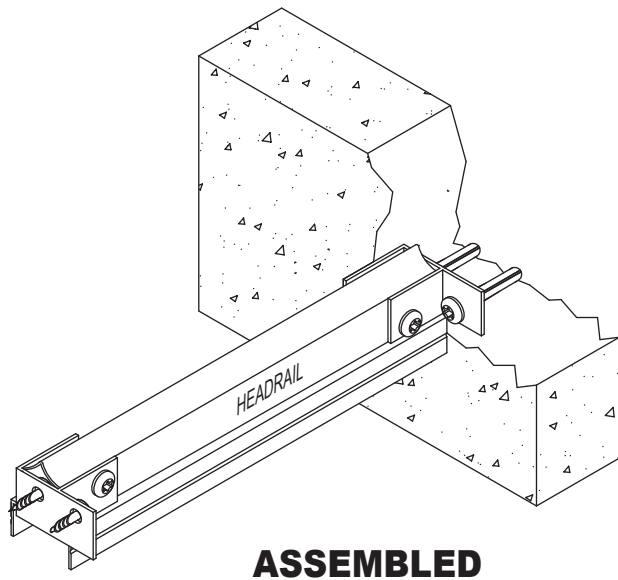
**FIGURE B**



**FIGURE C**

# Headrail Connection

Bag# 40-8448100			
INCLUDES: PART ID.		DESCRIPTION	QTY
1		Headrail Satin "F" Zamac Bracket	(2)
2		Headrail Cap Satin Zamac	(1)
3		Vandal Resistant S/S 2-1/2" S.M.S.	(2)
4		Plastic Shield	(2)
5		Vandal Resistant S/S 5/8" S.M.S. (Pre-drill 1/8" Pilot Hole)	(4)

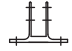






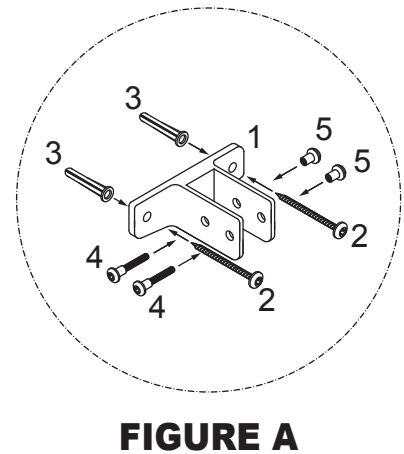
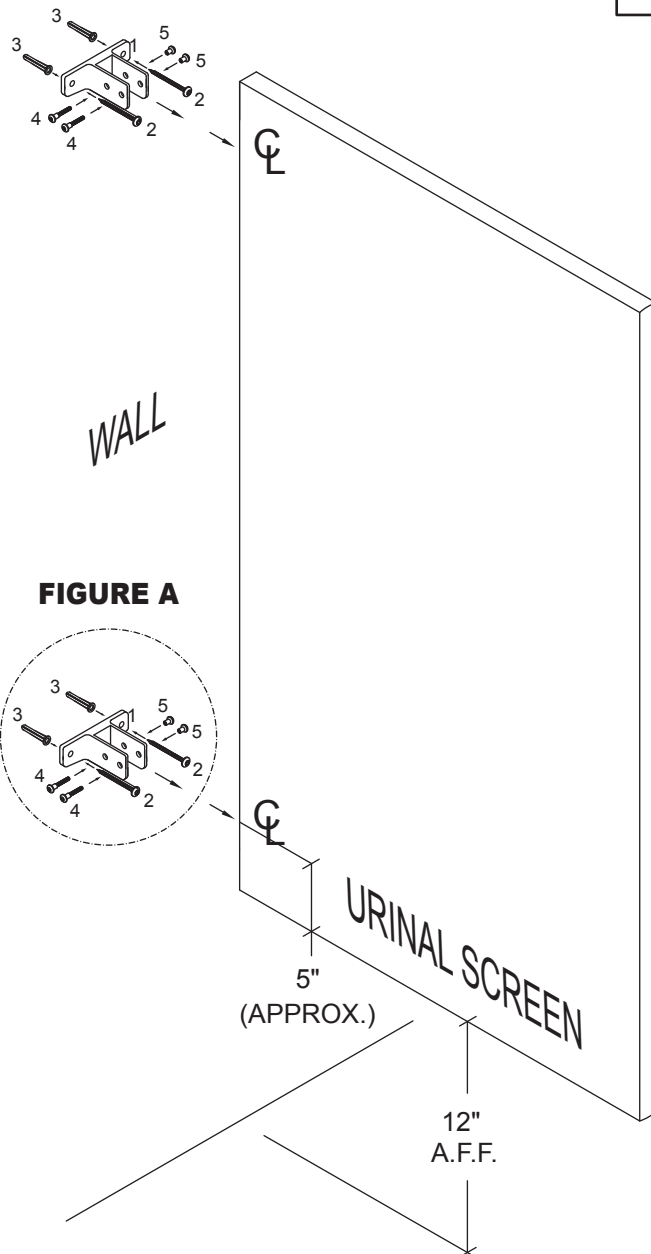
**NOTES:**

- Headrail comes in standard 65" and 98" lengths.
- Headrail is to be cut to size in the field. See drawings for details and locations.
- Long spans may require more than one piece of headrail. Butt each piece over the center of a pilaster. Use the factory ends at the butt joint.
- Headrail is to be secured to the pilaster with S.M.S. screws. Insert screws into the back side of the pilaster.

## Urinal Screen Connection

- A. Before proceeding, confirm that backing of wall is adequate to support and secure mounting of urinal screens. Check drawings for layout.
- B. Insert anchoring devices in walls and secure wall brackets with 2½" S.M.S.
- C. Place urinal screen on a support, 12" above the floor.
- D. Set U/S into wall brackets and fasten with recommended fasteners.

<b>Urinal Screen Hardware Kit</b>			
<b>Kit# 40-8511281G</b>			
<b>INCLUDES:</b>		<b>DESCRIPTION</b>	<b>QTY</b>
<b>PART ID.</b>			
1		Two-Ear Wall U/S Bracket	(2)
2		Vandal Resistant 2-1/2" S.M.S.	(4)
3		Plastic Shield	(4)
4		Vandal Resistant Step Bolts 1" Long	(4)
5		Vandal Resistant 5/8" Barrel Nut	(4)



## CARE AND MAINTENANCE OF TOILET PARTITIONS

In order to provide toilet partitions with care and maintenance, the following instructions must be followed.

- A. All surfaces must be kept clean with water and a mild soap solution only.
- B. In high humidity areas, the rooms must be properly ventilated.
- C. "Hosing down" or wet washing of these units may cause water adsorption and damage.
- D. For maximum protection, periodic application of any standard furniture wax will be beneficial.
- E. In order to provide toilet partitions with the proper care and maintenance, the above instructions must be followed.

## WARNING

Under no circumstances should these components be subjected to:

- Abrasive powders or pads
- Water closet cleaners
- Ceramic tile cleaners
- Solutions containing more than 1% by volume of ammonia
- Solutions containing acids or lye
- Solutions containing enzymes

Attention to work progress during new construction or renovation is important. Other trades and cleaning services may use agents for ceramics and tiles that will damage these components.

## 5 YEAR WARRANTY

These partitions made by Global Partitions are guaranteed to be fabricated in accordance with Global's approved specifications and drawings.

Global Partitions guarantees its *Plastic Laminate Partitions*, properly maintained, against discoloration or delamination, for 5 years from the date of receipt by the customer.

This warranty shall not be applicable if vandalism or improper cleaning/maintenance of partitions has contributed as just cause for partition failure. See the full warranty on Global Partitions website or call for a copy.